

For reference only. See data sheet for the detailed specifications.

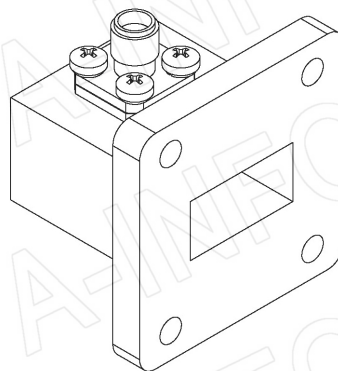
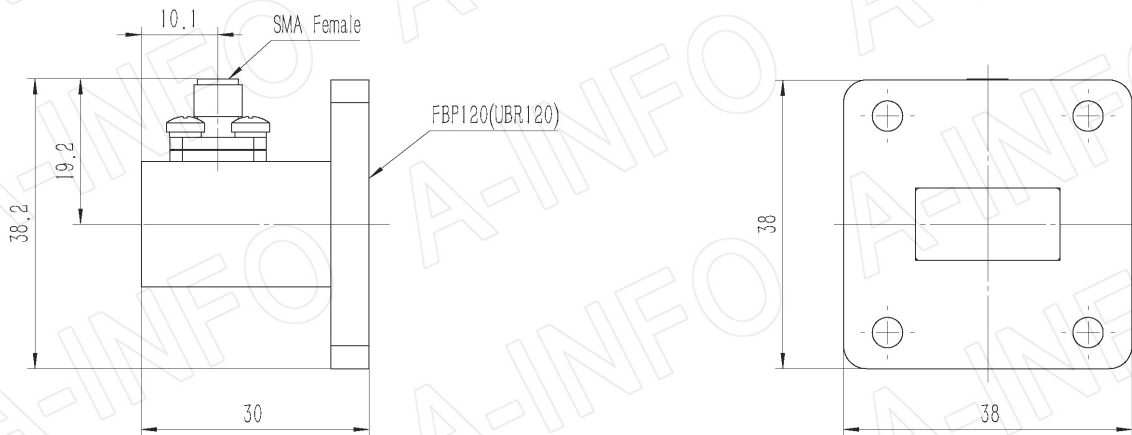
Technical Specification



EIA WR	WR75
Frequency Range(GHz)	10.0 – 15.0
Insertion Loss(dB)	0.25 Max.
VSWR	1.25:1 Max.
Flange	FBP120(UBR120)
Connector	SMA-Female or SMA-Male
Power Handling(W CW)	50
Peak Power(KW)	3
Material	Al
Size(mm)	30 x 38 x 38.2
Net Weight(Kg)	0.03 Around

Outline Drawing (Size: mm)

SMA-Female Output (P/N: 75WCAS)



AINFO Inc.

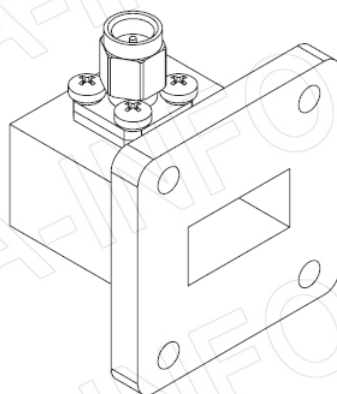
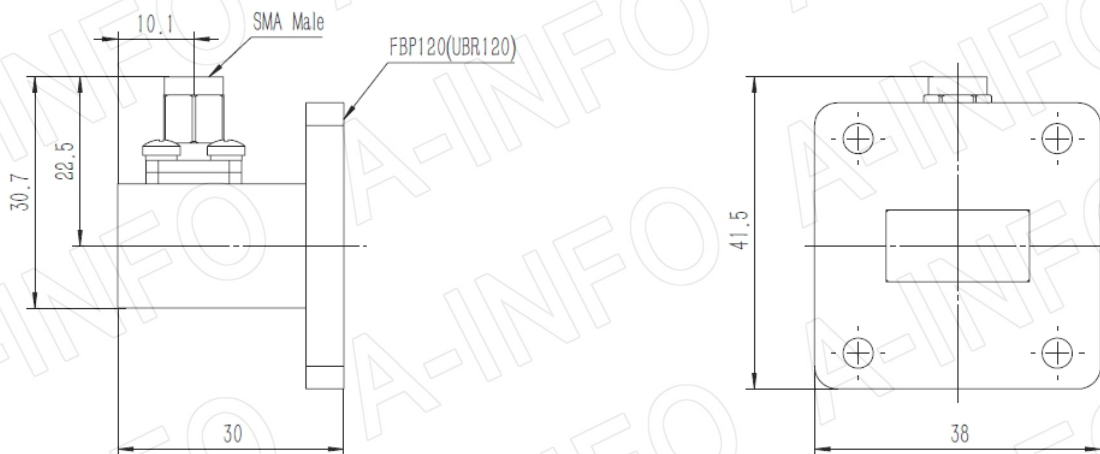
China(Beijing): Tel: (+86) 10-6266-7326,
 China(Chengdu): Tel: (+86) 28-8519-2786,
 USA : Tel: (+1) 949-639-9688,

Page 1 of 4

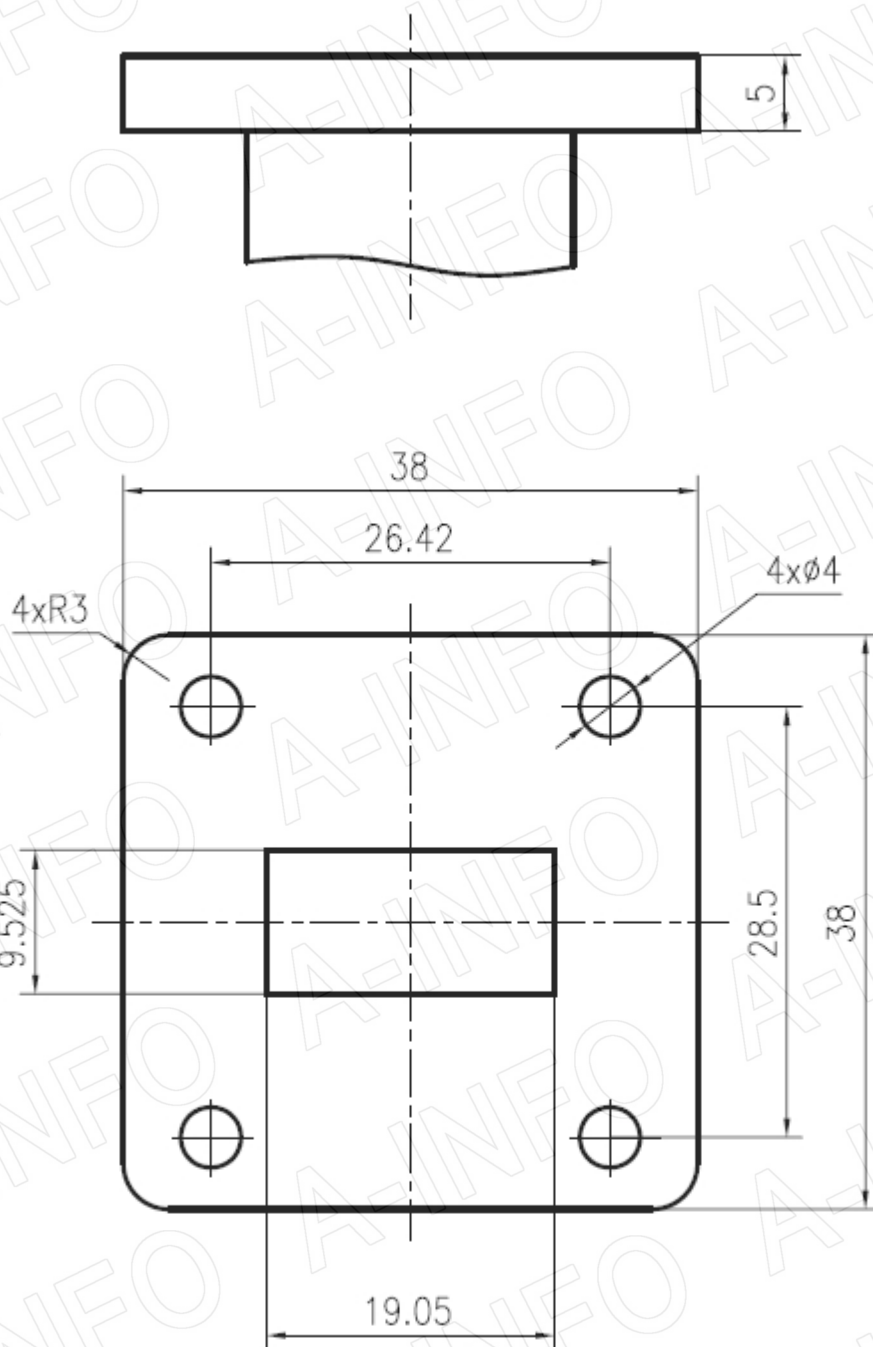
(+86) 10-6266-7327 Fax: (+86) 10-6266-7379
 (+86) 28-8519-3044 Fax: (+86) 28-8519-3068
 (+1) 949-639-9608 Fax: (+1) 949-639-9670

Website: www.ainfoinc.com
 Email: sales@ainfoinc.com

SMA-Male Output (P/N: 75WCASM)



Flange Drawing (Size: mm)



FBP120

AINFO Inc.

China(Beijing): Tel: (+86) 10-6266-7326,
China(Chengdu): Tel: (+86) 28-8519-2786,
USA: Tel: (+1) 949-639-9688,

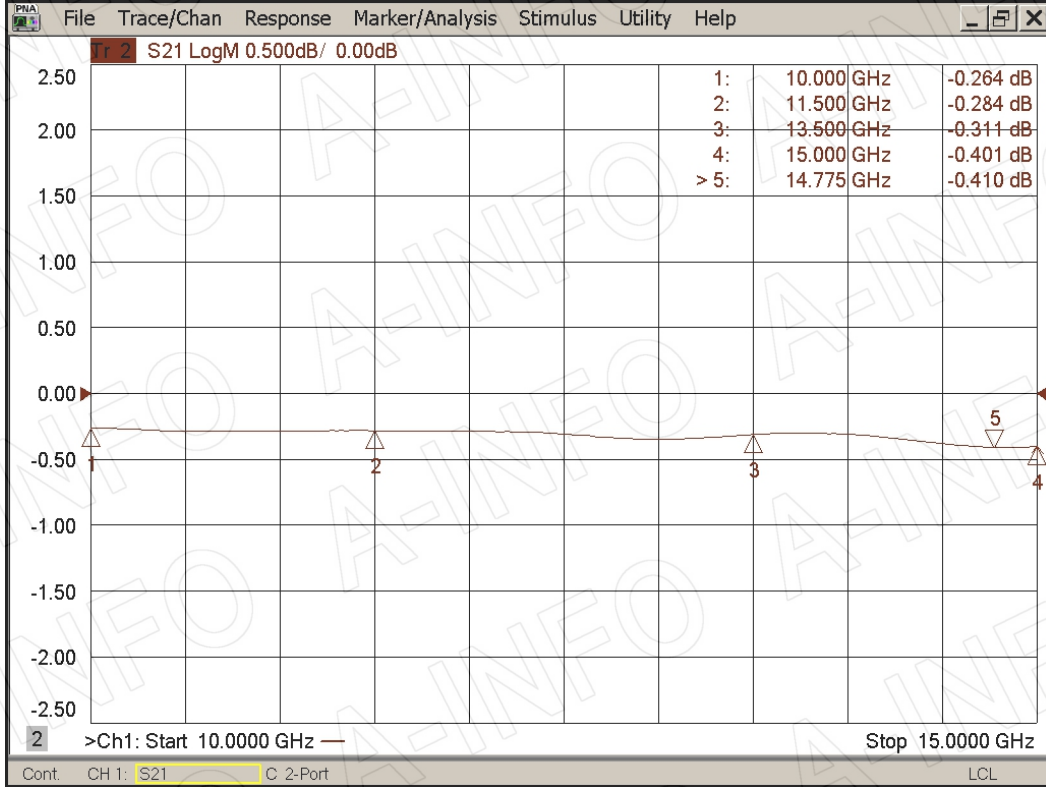
Page 3 of 4

(+86) 10-6266-7327 Fax: (+86) 10-6266-7379
(+86) 28-8519-3044 Fax: (+86) 28-8519-3068
(+1) 949-639-9608 Fax: (+1) 949-639-9670

Website: www.ainfoinc.com
Email: sales@ainfoinc.com

Test Results

I. L. (Test with two adapters back to back)



VSWR

