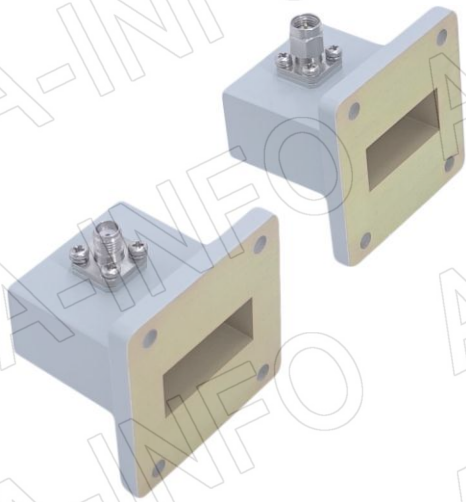


For reference only. See data sheet for the detailed specifications.

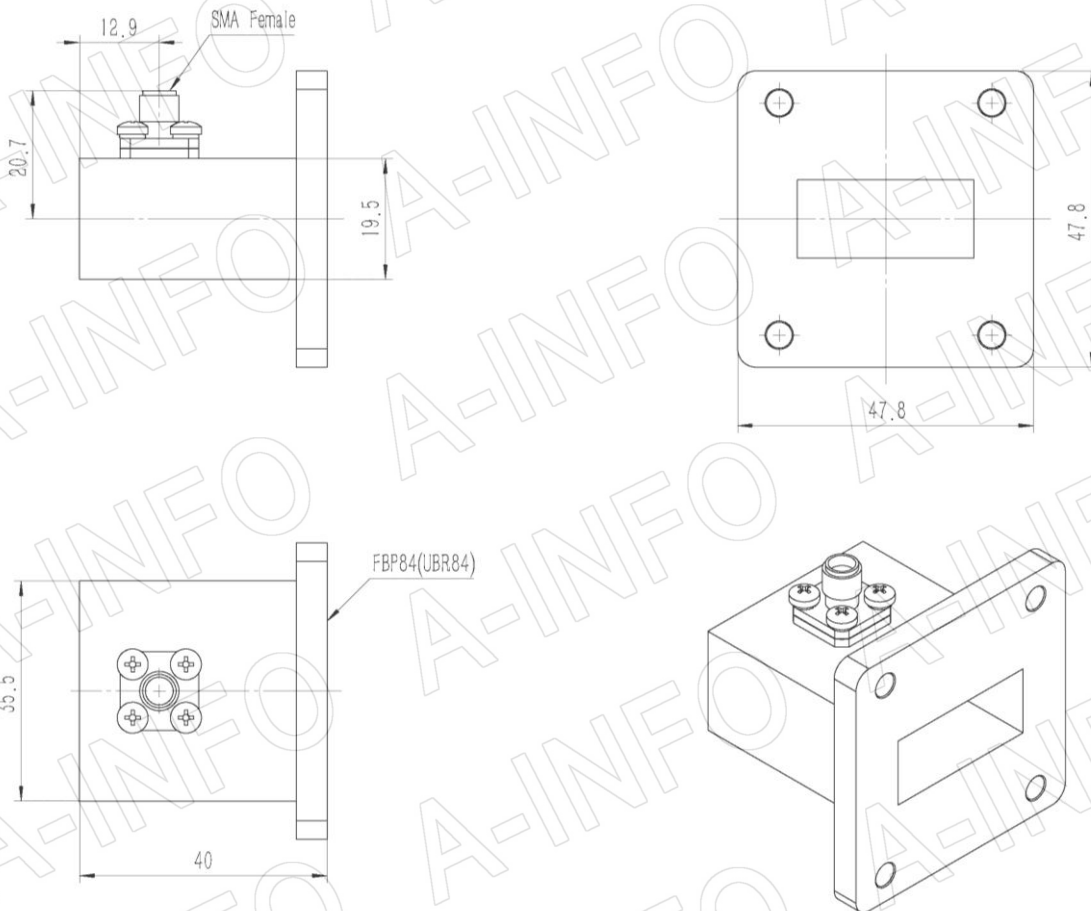
Technical Specification



| | |
|----------------------|---------------------------|
| EIA WR | WR112 |
| Frequency Range(GHz) | 7.05 – 10.0 |
| Insertion Loss(dB) | 0.21 Max. |
| VSWR | 1.25:1 Max. |
| Flange | FBP84(UBR84) |
| Connector | SMA-Female or SMA-Male |
| Average Power(W CW) | 50 Max. |
| Peak Power(KW) | 3 |
| Material | Al |
| Size(mm) | 40 x 47.8 x 47.8 |
| Net Weight(Kg) | 0.07 Around |

Outline Drawing (Size: mm)

SMA-Female Output (P/N: 112WCAS)



AINFO Inc.

Page 1 of 4

China(Beijing):
China(Chengdu):
USA :

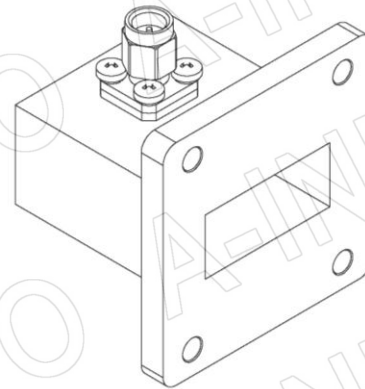
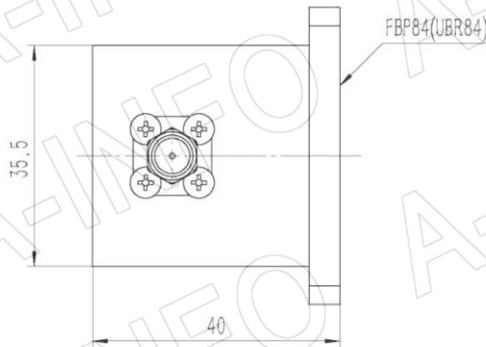
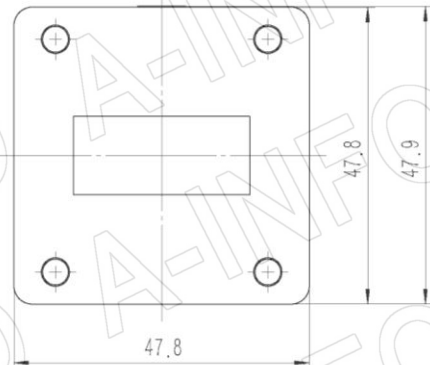
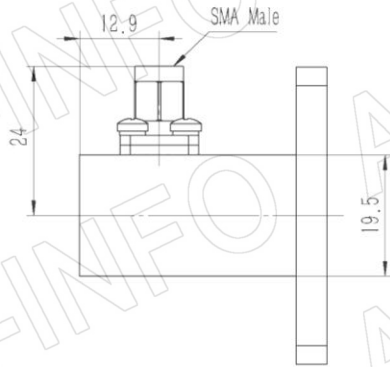
Tel: (+86) 10-6266-7326,
Tel: (+86) 28-8519-2786,
Tel: (+1) 949-639-9688,

(+86) 10-6266-7327
(+86) 28-8519-3044
(+1) 949-639-9608

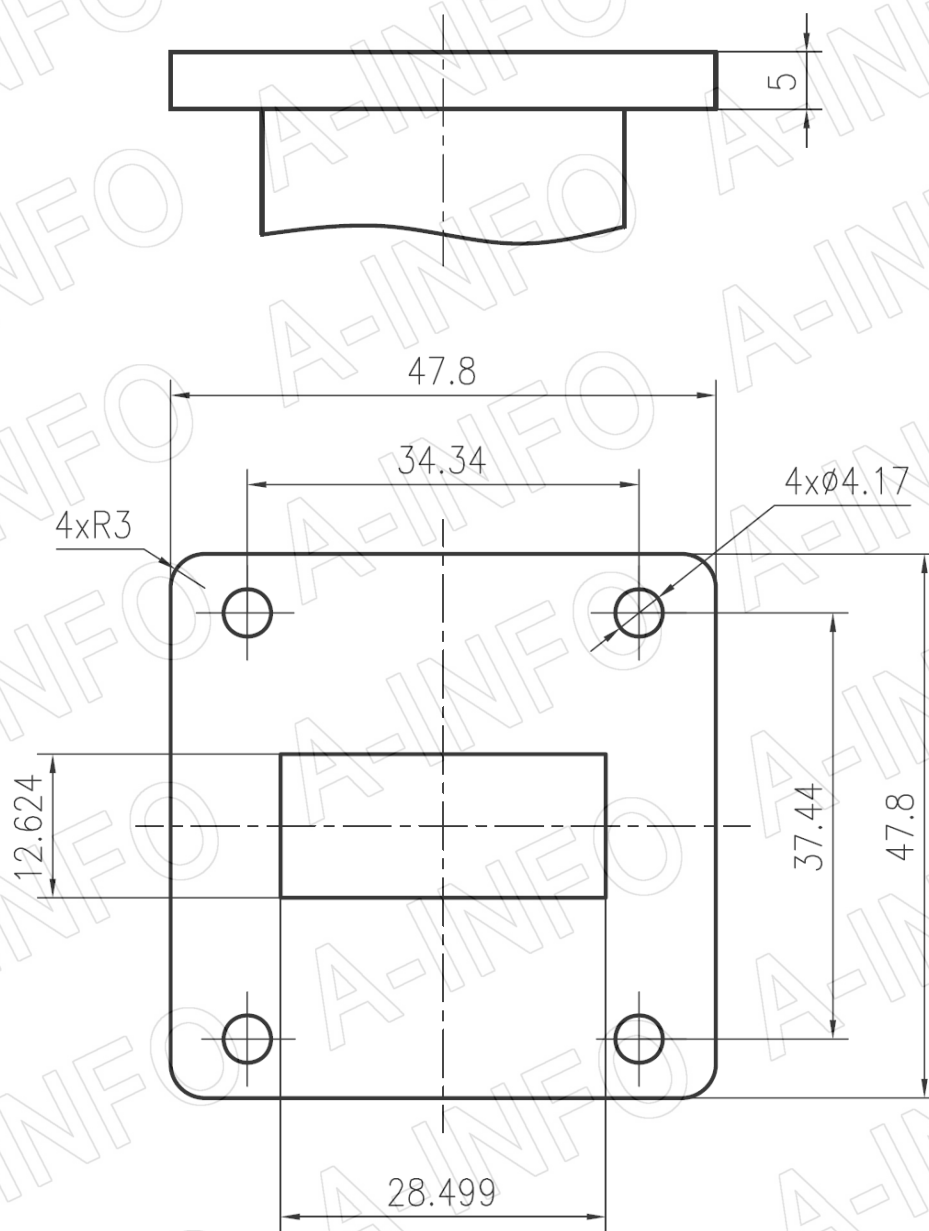
Fax: (+86) 10-6266-7379
Fax: (+86) 28-8519-3068
Fax: (+1) 949-639-9670

Website: www.ainfoinc.com
Email: sales@ainfoinc.com

SMA-Male Output (P/N: 112WCASM)



Flange Drawing (Size: mm)



FBP84

AINFO Inc.

Page 3 of 4

China(Beijing):
China(Chengdu):
USA :

Tel: (+86) 10-6266-7326,
Tel: (+86) 28-8519-2786,
Tel: (+1) 949-639-9688,

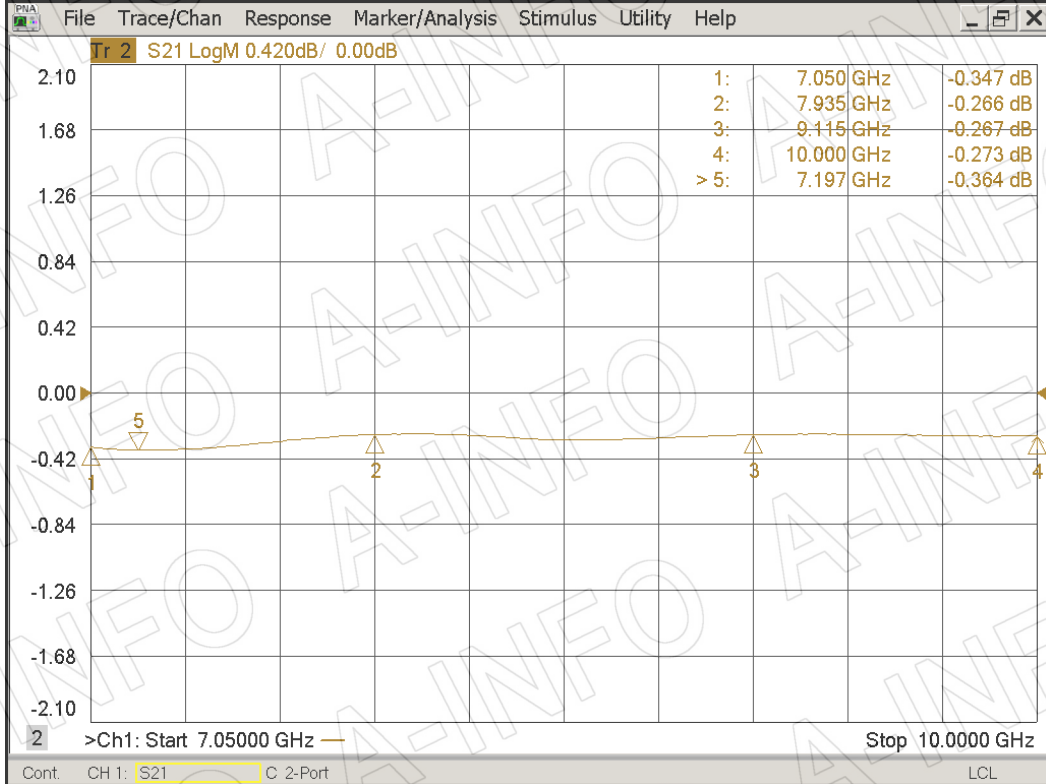
(+86) 10-6266-7327
(+86) 28-8519-3044
(+1) 949-639-9608

Fax: (+86) 10-6266-7379
Fax: (+86) 28-8519-3068
Fax: (+1) 949-639-9670

Website: www.ainfoinc.com
Email: sales@ainfoinc.com

Test Results

Insertion Loss (Test with two adapters back to back)



VSWR

