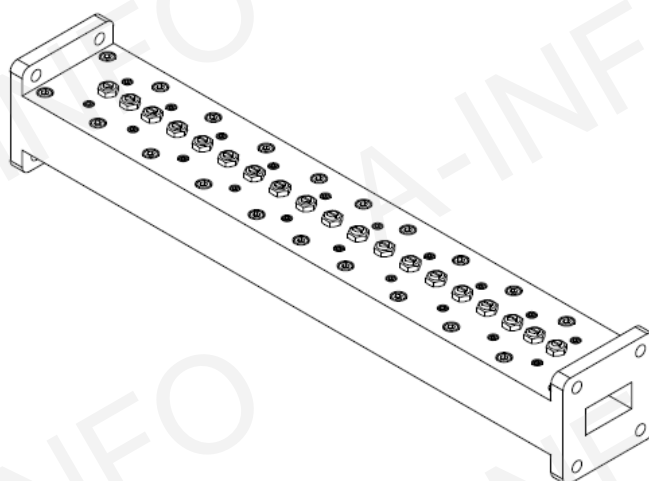


Technical Specification



EIA WR	WR75
Pass Band(GHz)	10.09-10.68
Insertion Loss(dB)	1.2 Max.
Rejection(dB)	80 Min@ 11.7-12.3GHz
	80 Min@ 9.6GHz
VSWR	1.5 Max.
Flange	FBP120(UBR120)
Material	Al
Size(mm)	38x38x230
Net Weight(Kg)	0.4 Around

Outline Drawing (Size: mm)



Test Results

Insertion Loss (S21) & Rejection (S12) & VSWR (S11 & S22)

