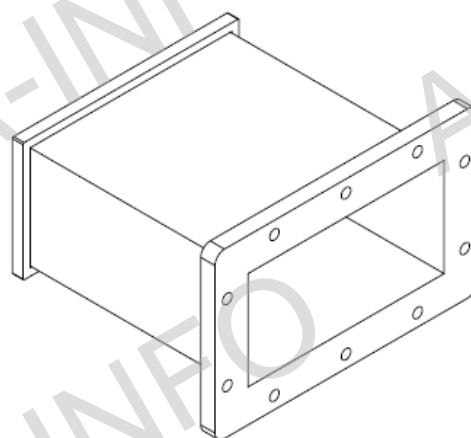
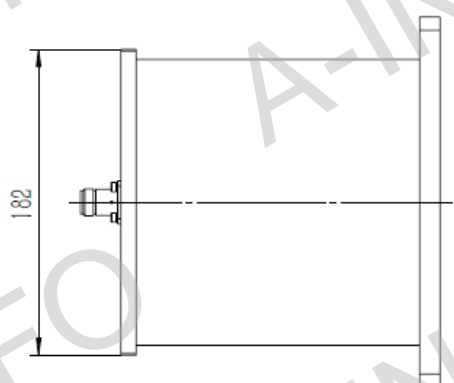
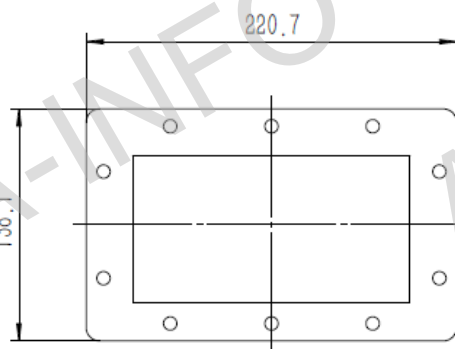
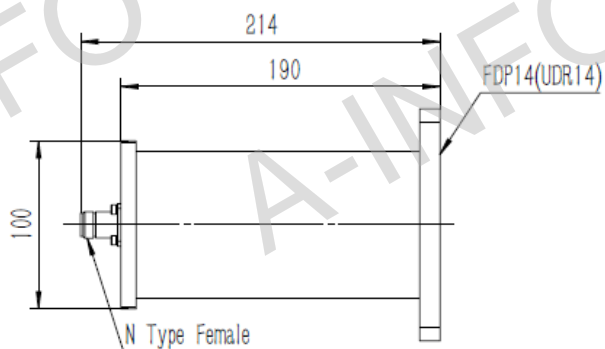


## Technical Specification



EIA WR	WR650
Frequency Range(GHz)	1.12 – 1.70
Insertion Loss(dB)	0.2 Max.
VSWR	1.25:1 Max.
Flange	FDP14(UDR14)
Connector	N-Female
Average Power(W CW)	300 Max.
Peak Power(KW)	3
Material	Al
Size(mm)	214 x 220.7 x 138.1
Net Weight(Kg)	1.90 Around

## Outline Drawing (Size: mm)



AINFO Inc.

Page 1 of 3

China(Beijing):  
China(Chengdu):  
USA :

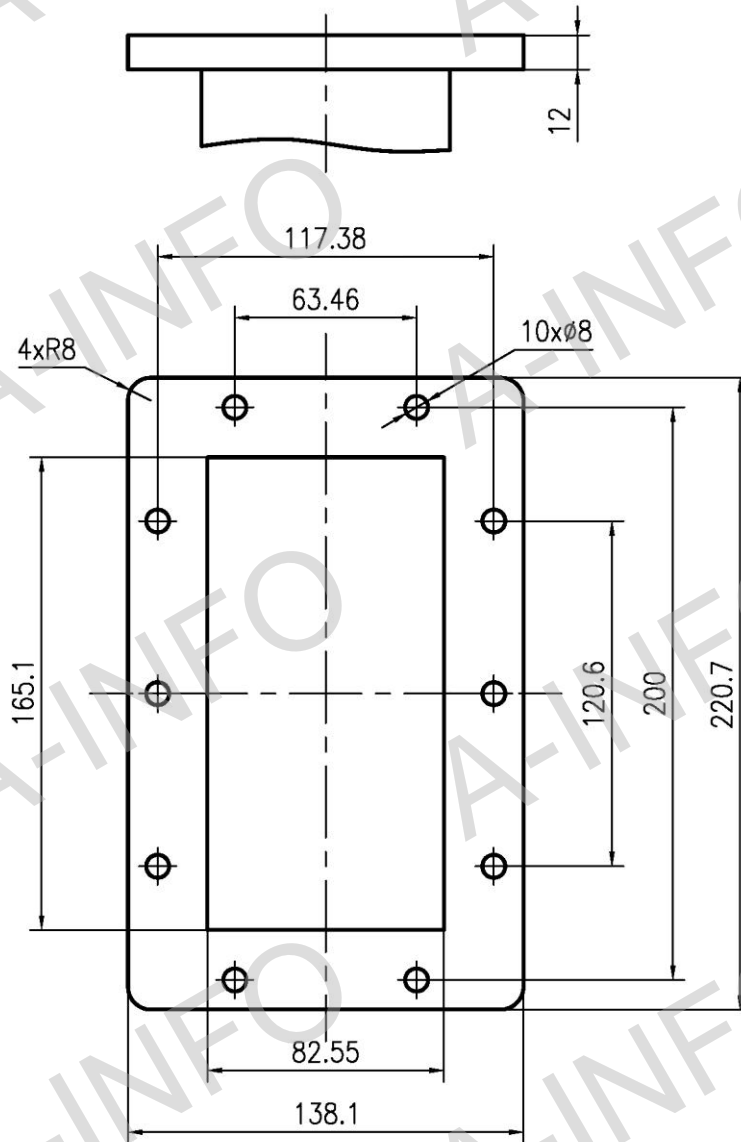
Tel: (+86) 10-6266-7326,  
Tel: (+86) 28-8519-2786,  
Tel: (+1) 949-639-9688,

(+86) 10-6266-7327  
(+86) 28-8519-3044  
(+1) 949-639-9608

Fax: (+86) 10-6266-7379  
Fax: (+86) 28-8519-3068  
Fax: (+1) 949-639-9670

Website: [www.ainfoinc.com](http://www.ainfoinc.com)  
Email: [sales@ainfoinc.com](mailto:sales@ainfoinc.com)

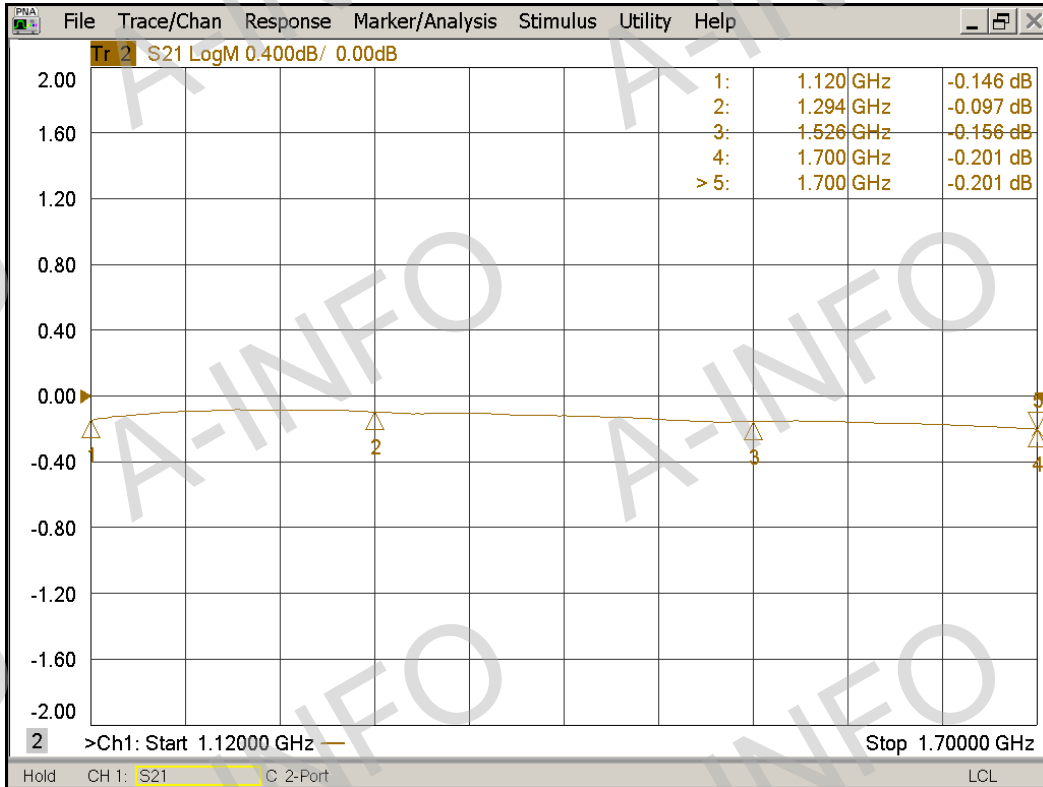
## Flange Drawing (Size: mm)



### FDP14

## Test Results

I. L. (Test with two adapters back to back)



VSWR

