

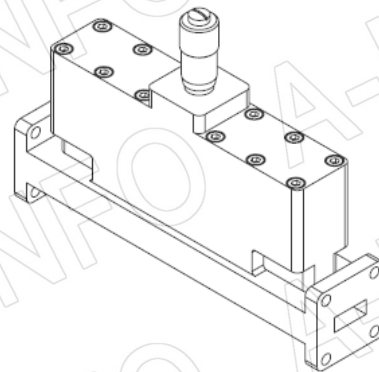
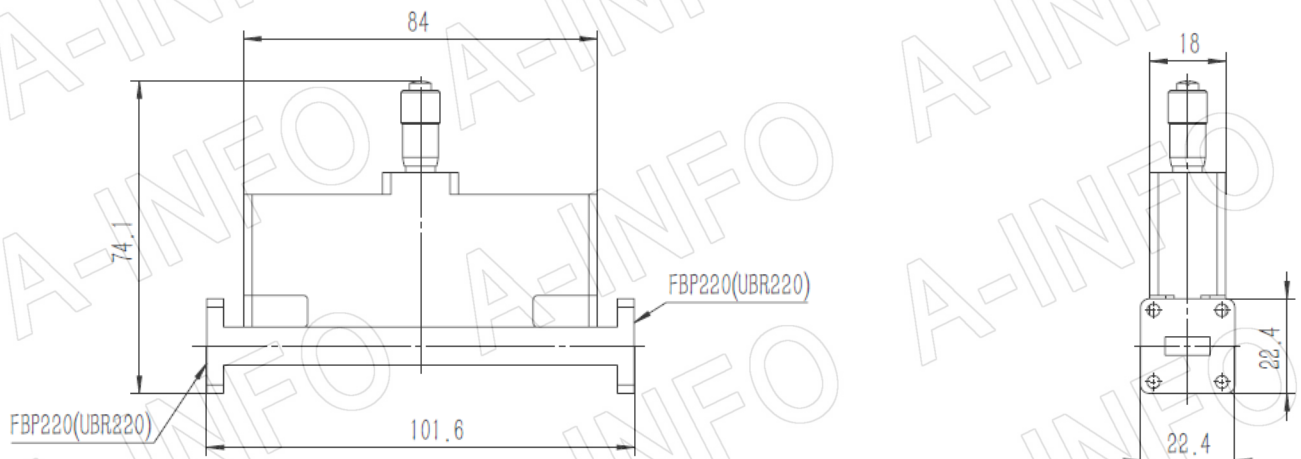
For reference only. See data sheet for the detailed specifications.

Technical Specification



EIA WR	WR42
Frequency Range(GHz)	18.0 – 26.5
Attenuation(dB)	0 – 30
Insertion Loss(dB)	0.2 Max.
VSWR	1.20:1 Max.
Average Power(W CW)	1
Flange	FBP220(UBR220)
Material	Cu
Size(mm)	101.6 x 22.4 x 74.1
Net Weight(Kg)	0.45 Around

Outline Drawing (Size: mm)



AINFO Inc.

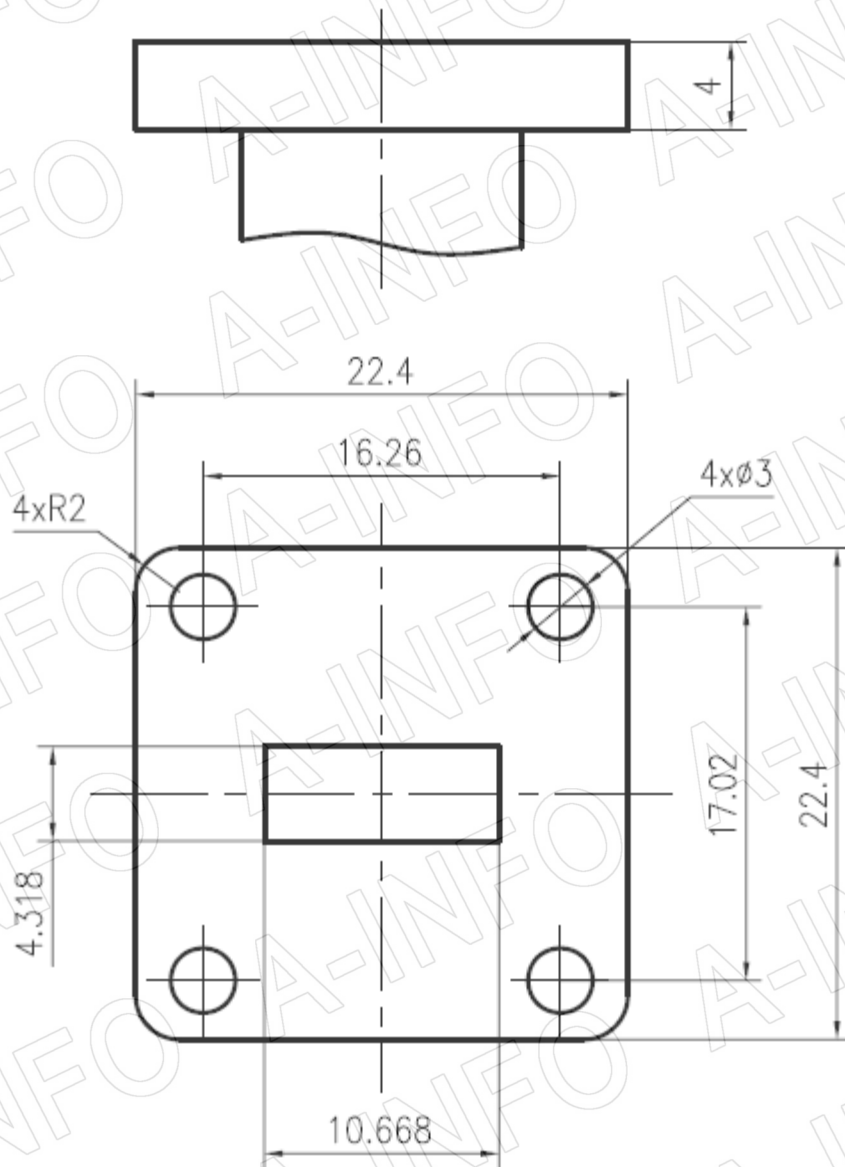
China(Beijing): Tel: (+86) 10-6266-7326,
China(Chengdu): Tel: (+86) 28-8519-2786,
USA: Tel: (+1) 949-639-9688,

Page 1 of 3

(+86) 10-6266-7327 Fax: (+86) 10-6266-7379
(+86) 28-8519-3044 Fax: (+86) 28-8519-3068
(+1) 949-639-9608 Fax: (+1) 949-639-9670

Website: www.ainfoinc.com
Email: sales@ainfoinc.com

Flange Drawing (Size: mm)



FBP220

AINFO Inc.

China(Beijing): Tel: (+86) 10-6266-7326,
China(Chengdu): Tel: (+86) 28-8519-2786,
USA: Tel: (+1) 949-639-9688,

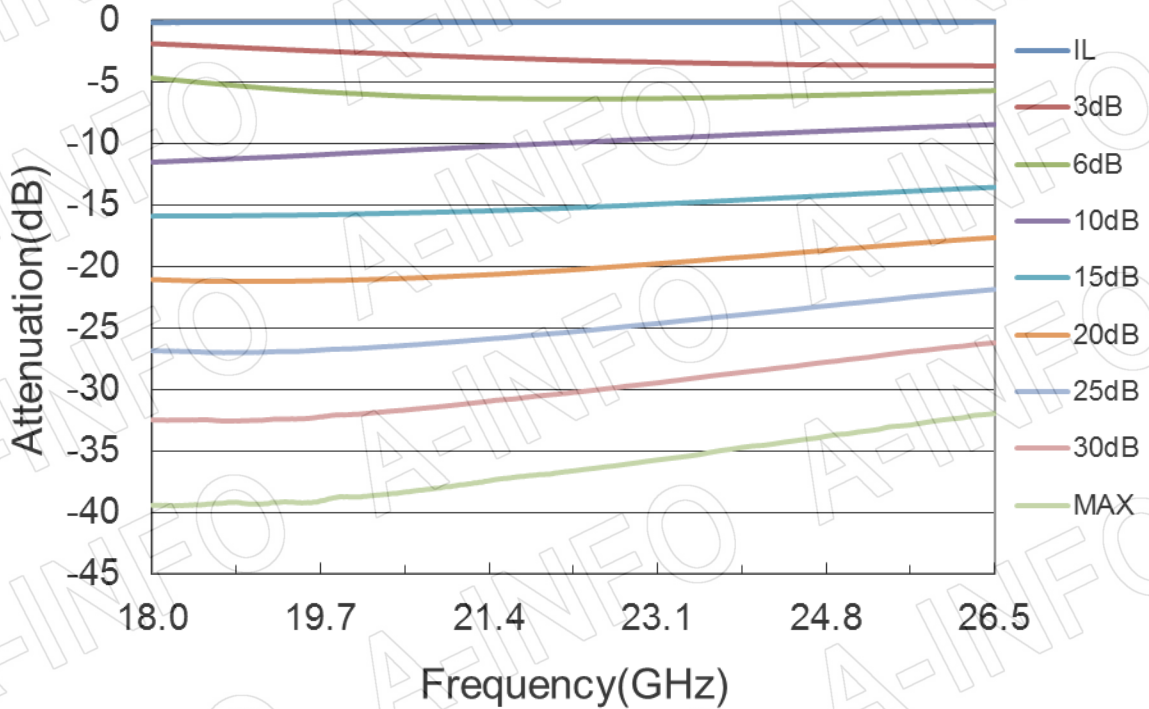
Page 2 of 3

(+86) 10-6266-7327 Fax: (+86) 10-6266-7379
(+86) 28-8519-3044 Fax: (+86) 28-8519-3068
(+1) 949-639-9608 Fax: (+1) 949-639-9670

Website: www.ainfoinc.com
Email: sales@ainfoinc.com

Test Results

Attenuation



I.L. & VSWR

