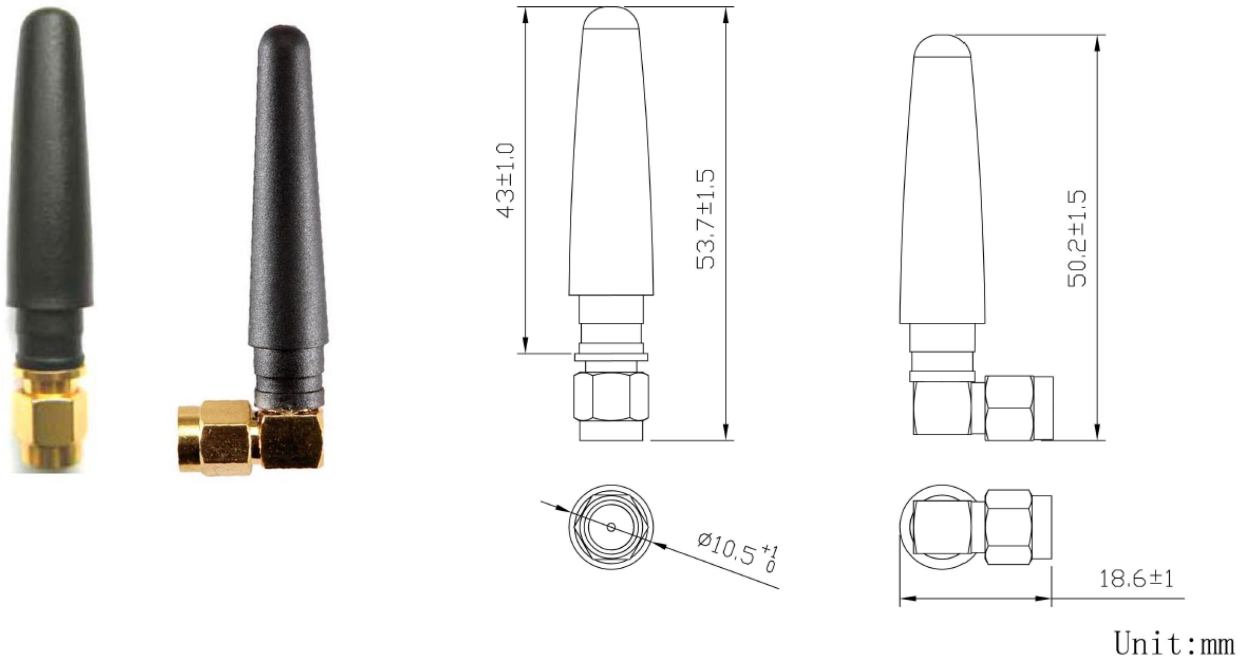




DATASHEET

MG-GSM-G119-1

Type	GSM antenna
Frequencies	820-960/1710-1990MHz
Mounting	Connector Mount
Brand Name	MG ANTENNAS



Revision #	Content	Page	Date
0	First, document	-	13.08.2017

1. SPECIFICATION

1.1 Electrical Specifications

Frequency	820-960/1710-1990MHz
Polarization	Linear
Gain	2.5~3 dBi
Max power	10 W
VSWR	2.5 :1
Impedance	50 Ω

1.2 Mechanical specifications

Cable (type and length)	-
Connector	SMA straight male Gold or R/A
Housing Color	Black
Mounting	Connector Mount
Dimensions	53.7(50.2)*10.5 mm
Weight	<10g

1.3 Environmental specifications

Operating Temperature, °C	-40 ~ +85
Operating Humidity, %	0 ~ 95
Storage Temperature, °C	-40 ~ +85
Storage Humidity, %	0 ~ 95