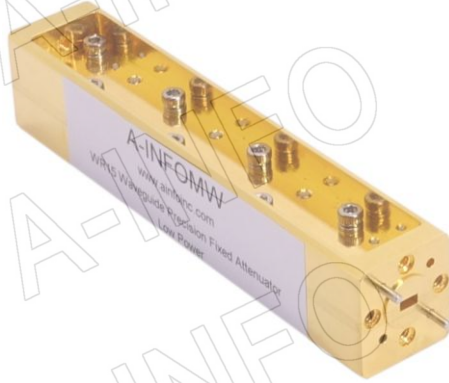


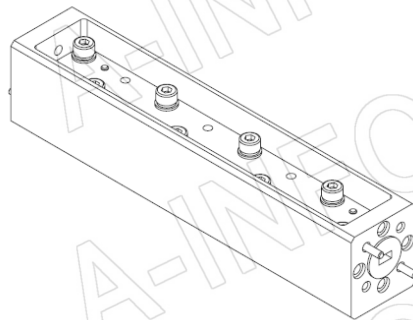
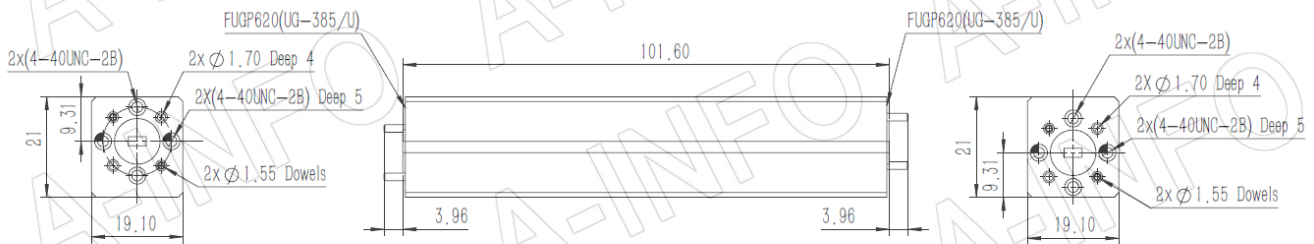
For reference only. See data sheet for the detailed specifications.

Technical Specification

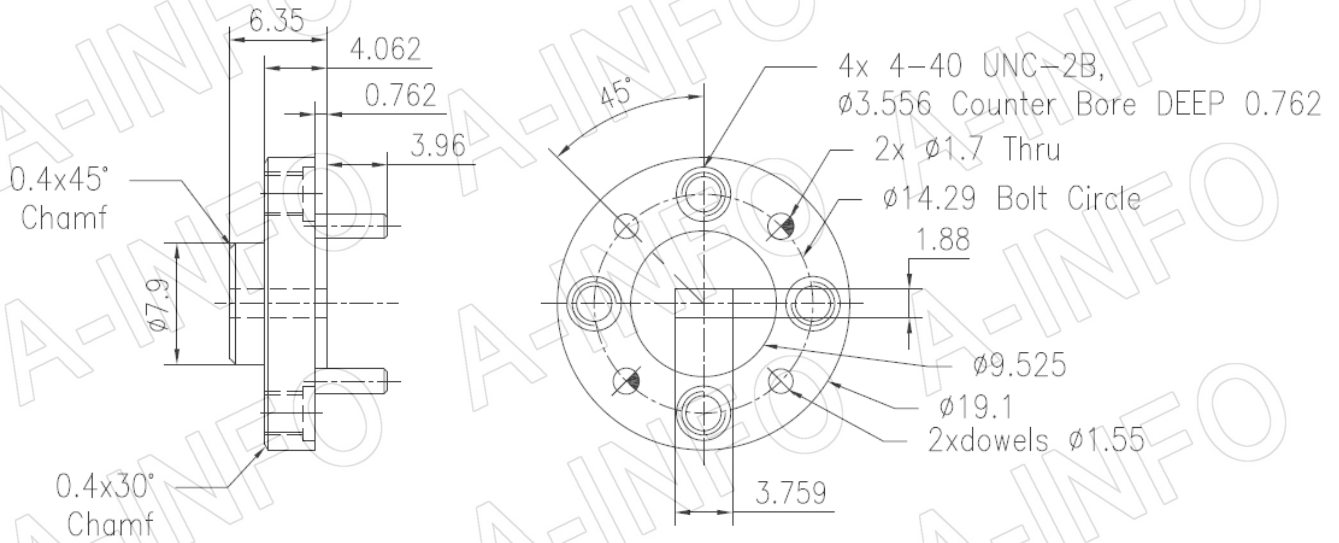


WIA WR	WR15
Frequency Range(GHz)	50.0 – 75.0
Attenuation(dB)	30
Attenuation Accuracy(dB)	±1.3 Max.
Attenuation Sensitivity(dB)	±0.9 Max.
VSWR	1.15:1 Max.
Average Power(W CW)	0.3
Peak Power(KW)	0.1
Flange	FUGP620(UG-385/U)
Material	Cu
Size(mm)	101.6 x 19.1 x 21
Net Weight(Kg)	0.16 Around

Outline Drawing (Size: mm)



Flange Drawing (Size: mm)

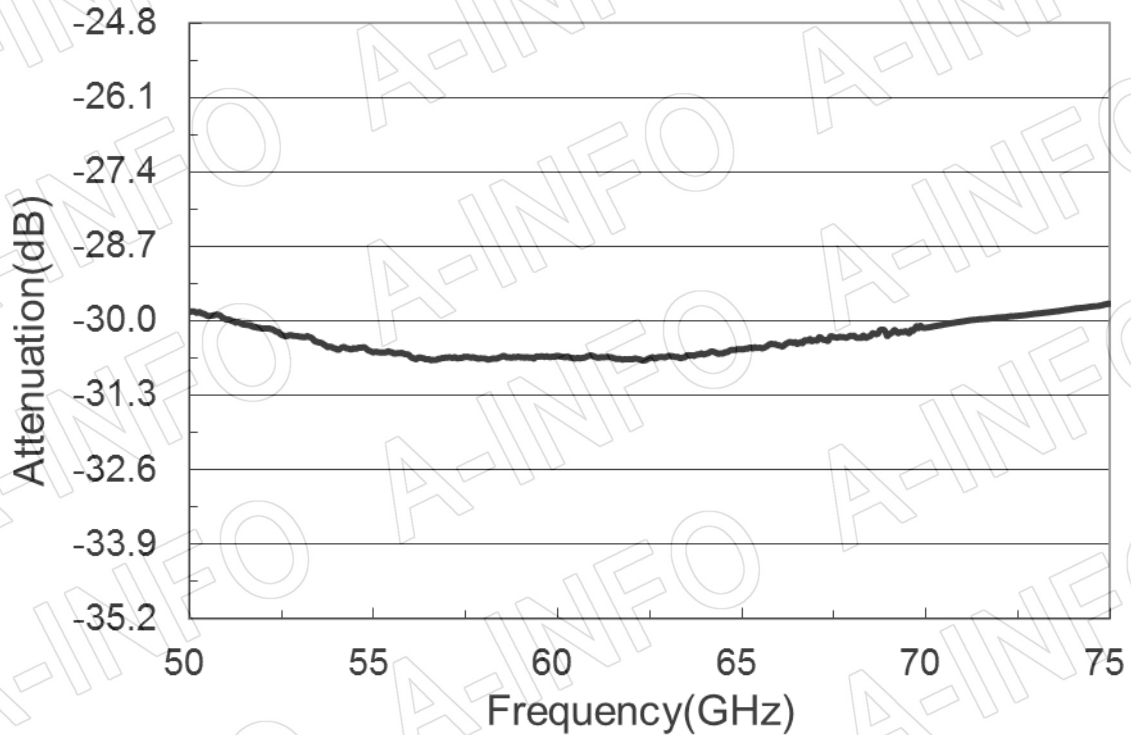


FUGP620
(equivalent to UG-385/U)

Test Results

Attenuation

Max: -29.750 dB Min: -30.741 dB Mean: -30.341 dB



VSWR

Port1 Max: 1.081 Port2 Max: 1.125

