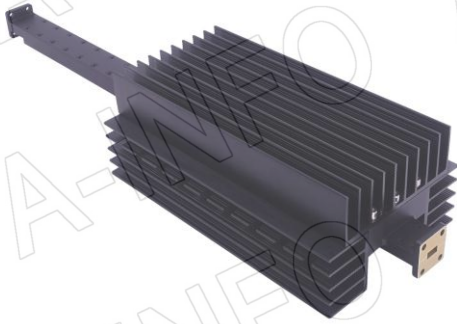


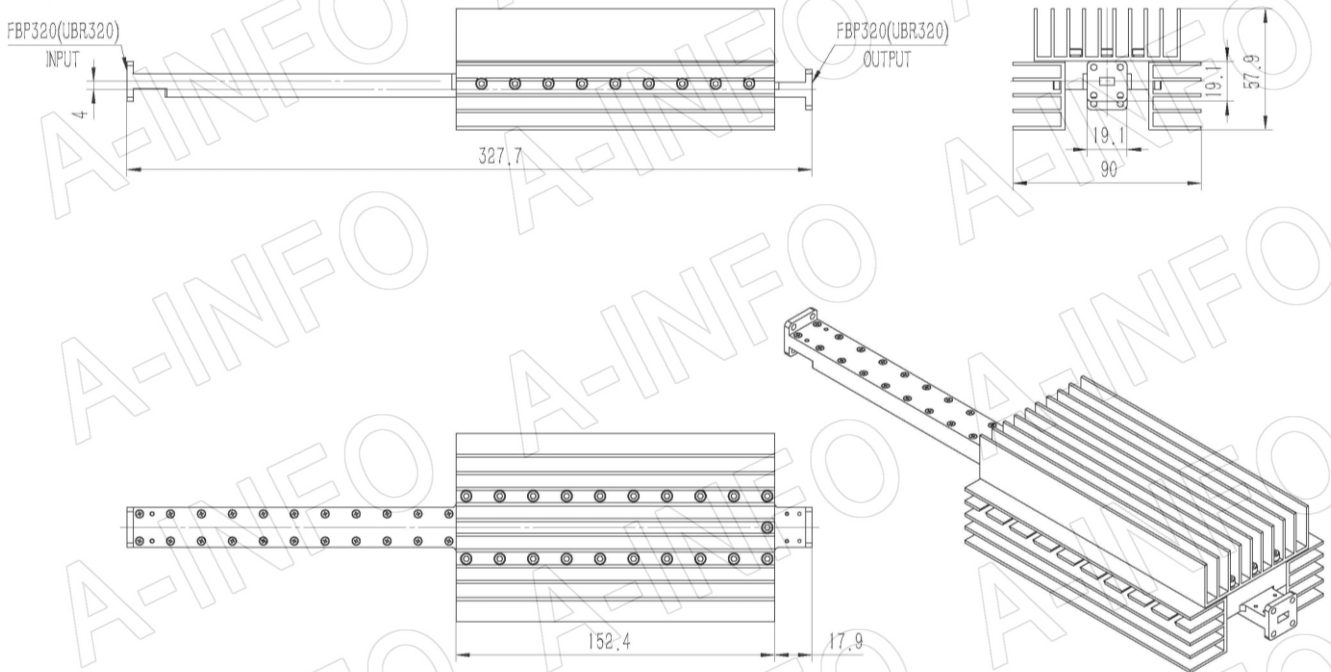
For reference only. See data sheet for the detailed specifications.

## Technical Specification

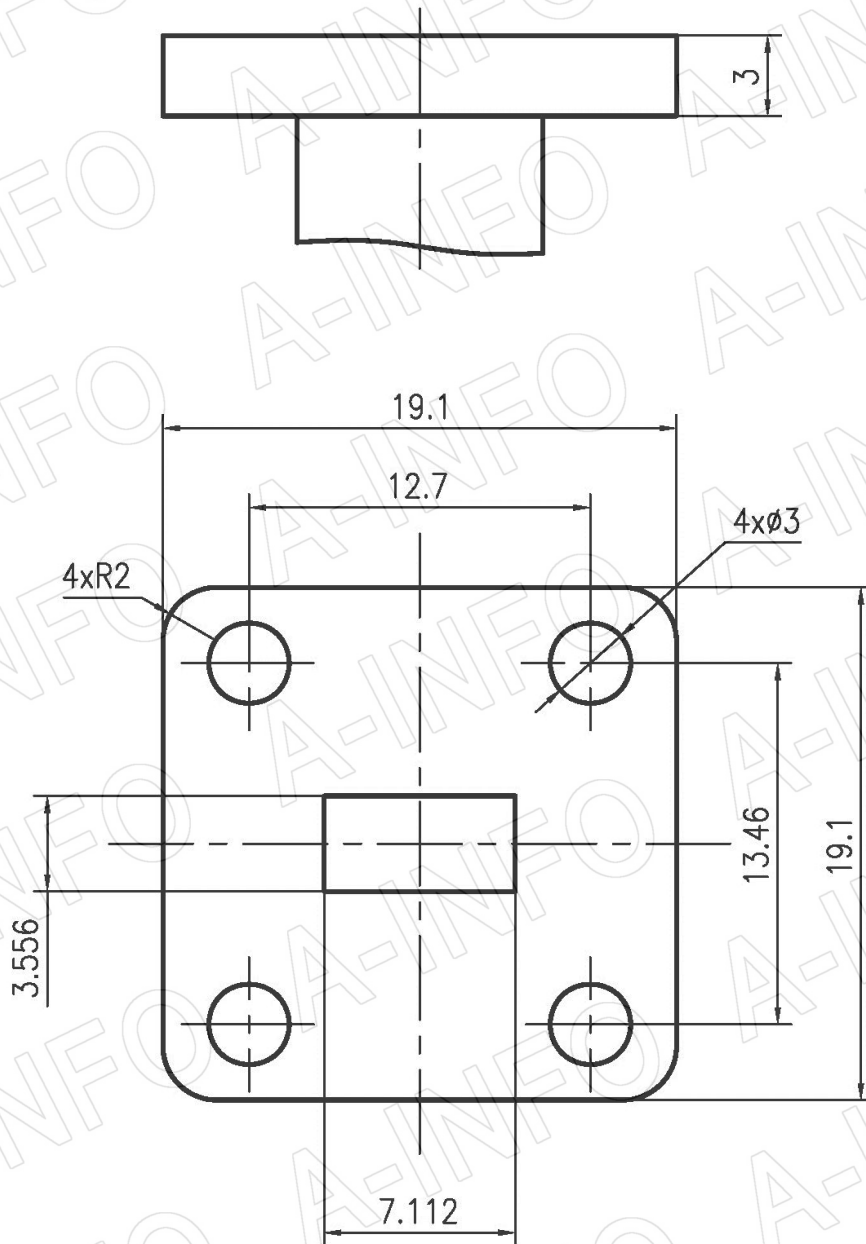


EIA WR	WR28
Frequency Range(GHz)	26.5 – 40.0
Attenuation(dB)	40
Attenuation Accuracy(dB)	±1.0 Max.
Attenuation Sensitivity(dB)	±0.9 Max.
VSWR	1.20:1 Max.
Average Power(W CW)	500
Peak Power(KW)	100
Flange	FBP320(UBR320)
Material	Al
Size(mm)	327.7 x 90 x 57.9
Net Weight(Kg)	0.70 Around

## Outline Drawing (Size: mm)



## Flange Drawing (Size: mm)



### FBP320

AINFO Inc.

Page 2 of 3

China(Beijing): Tel: (+86) 10-6266-7326,  
China(Chengdu): Tel: (+86) 28-8519-2786,  
USA: Tel: (+1) 949-639-9688,

(+86) 10-6266-7327 Fax: (+86) 10-6266-7379  
(+86) 28-8519-3044 Fax: (+86) 28-8519-3068  
(+1) 949-639-9608 Fax: (+1) 949-639-9670

Website: [www.ainfoinc.com](http://www.ainfoinc.com)  
Email: [sales@ainfoinc.com](mailto:sales@ainfoinc.com)

## Test Result

### Attenuation & VSWR

CH1	S11	SWR	200 m / REF 1	5: 1.0480	26.770 000 000 GHz
CH2	S21	LOG	1 dB/ REF -40 dB	5: -40.837 dB	30.347 500 000 GHz
CH3	S21	LOG	1 dB/ REF -40 dB	5: -33.521 dB	33.865 000 000 GHz
CH4	S22	SWR	200 m / REF 1	5: 1.1248	26.500 000 000 GHz

