

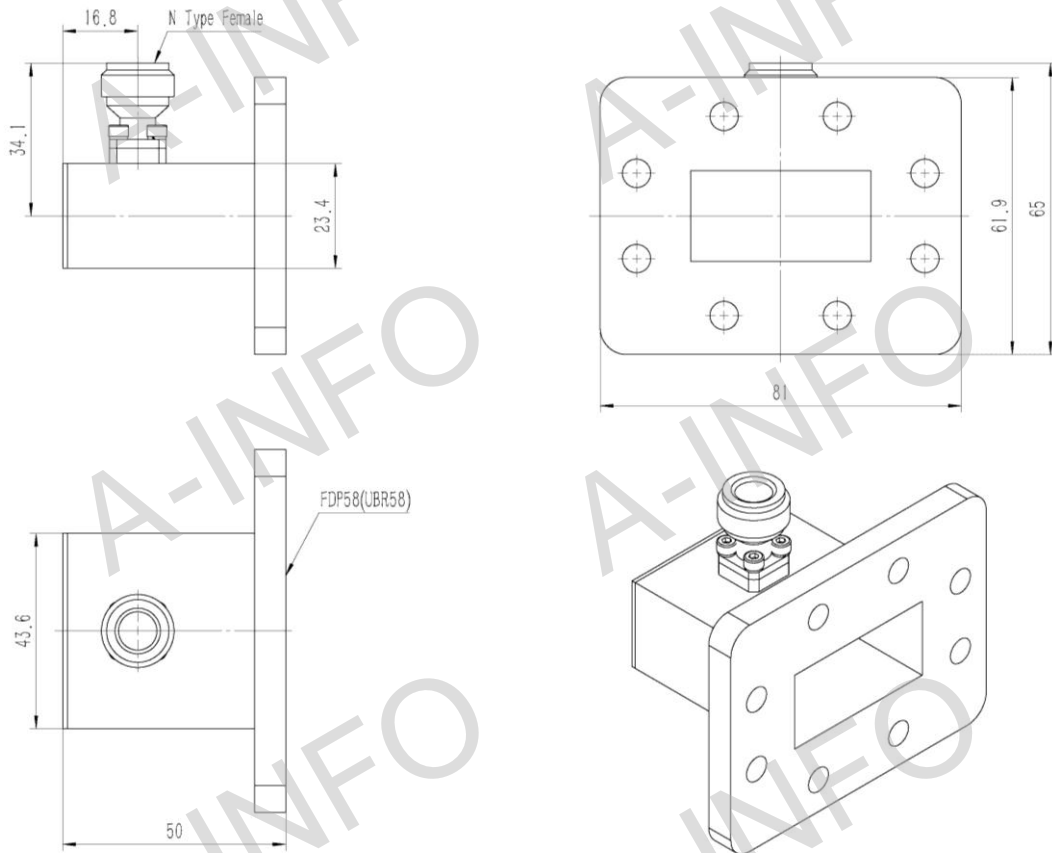
Technical Specification



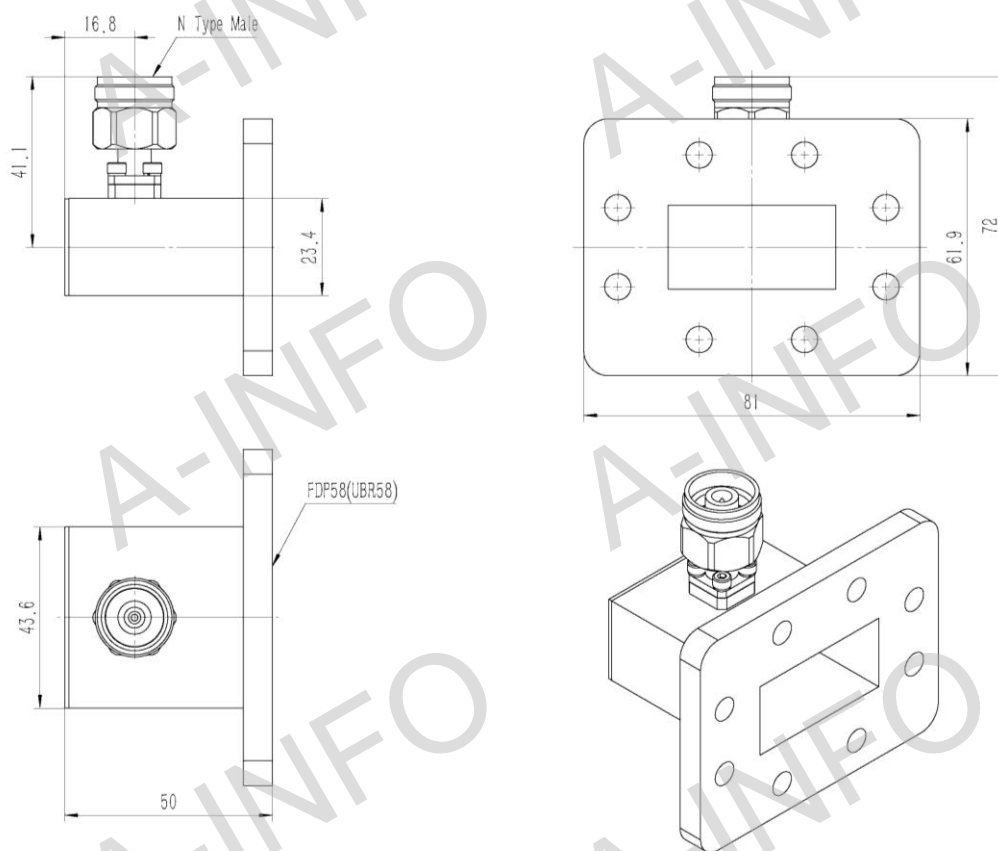
EIA WR	WR159
Frequency Range(GHz)	4.90 – 7.05
Insertion Loss(dB)	0.16 Max.
VSWR	1.25:1 Max.
Flange	FDP58(UDR58)
Connector	N-Female or N-Male
Average Power(W CW)	150 Max.
Peak Power(KW)	3
Material	Al
Size(mm)	50 x 81 x 65
Net Weight(Kg)	0.13 Around

Outline Drawing (Size: mm)

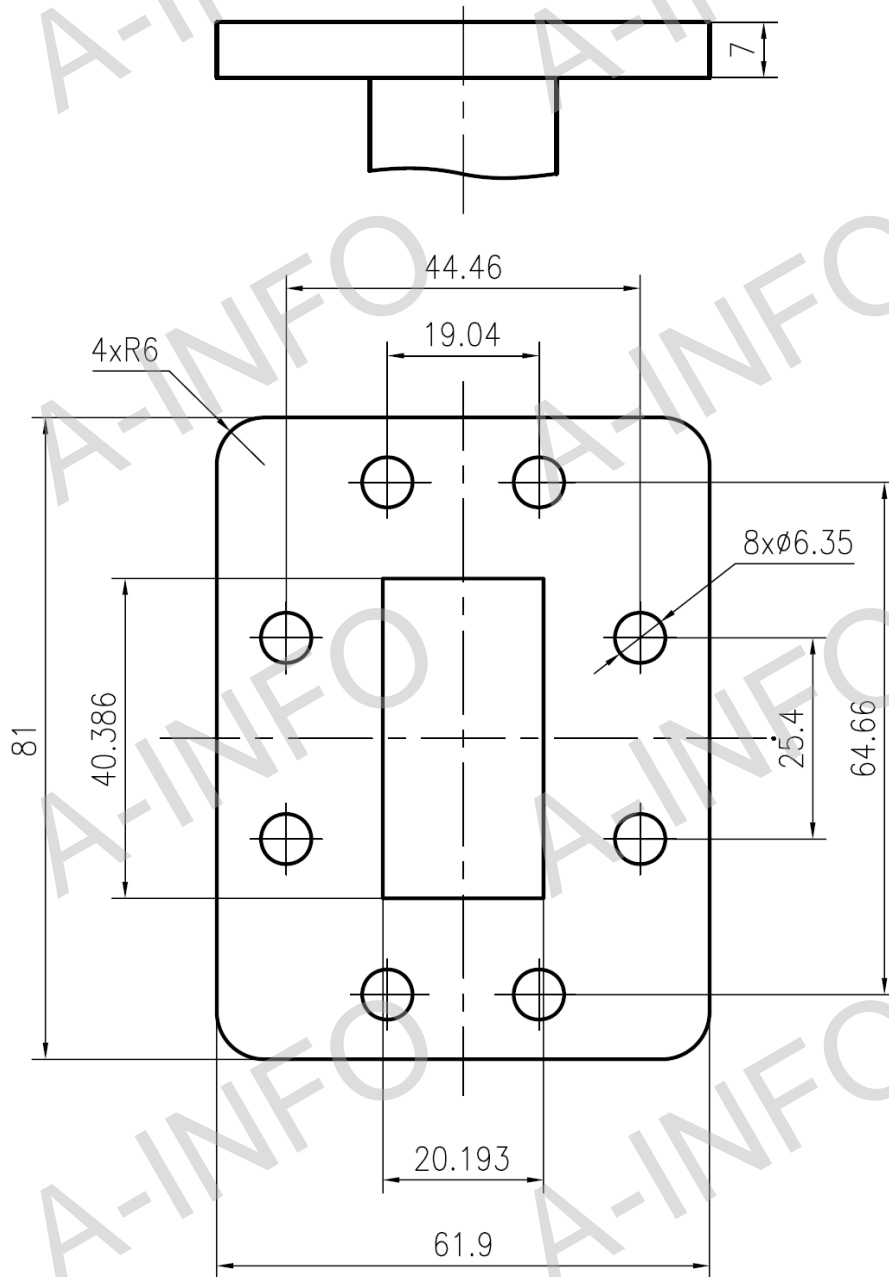
159WCAN (With N-Female Output)



159WCANM (With N-Male Output)



Flange Drawing (Size: mm)



FDP58

AINFO Inc.

Page 3 of 4

China(Beijing):
China(Chengdu):
USA :

Tel: (+86) 10-6266-7326,
Tel: (+86) 28-8519-2786,
Tel: (+1) 949-639-9688,

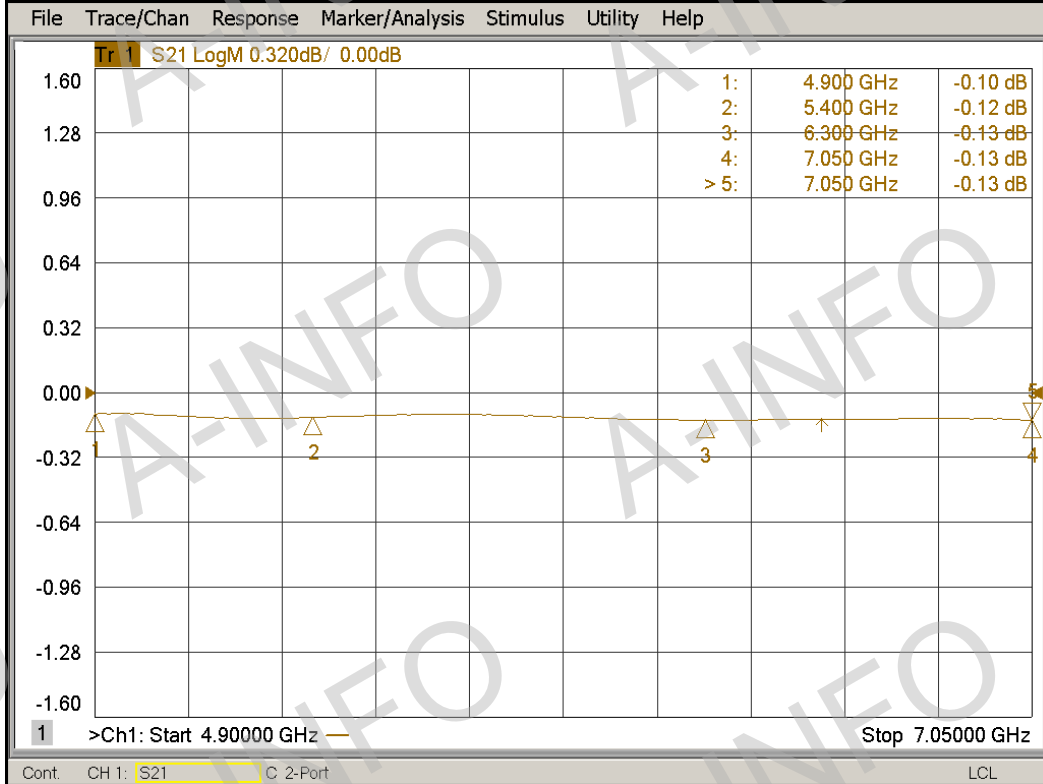
(+86) 10-6266-7327
(+86) 28-8519-3044
(+1) 949-639-9608

Fax: (+86) 10-6266-7379
Fax: (+86) 28-8519-3068
Fax: (+1) 949-639-9670

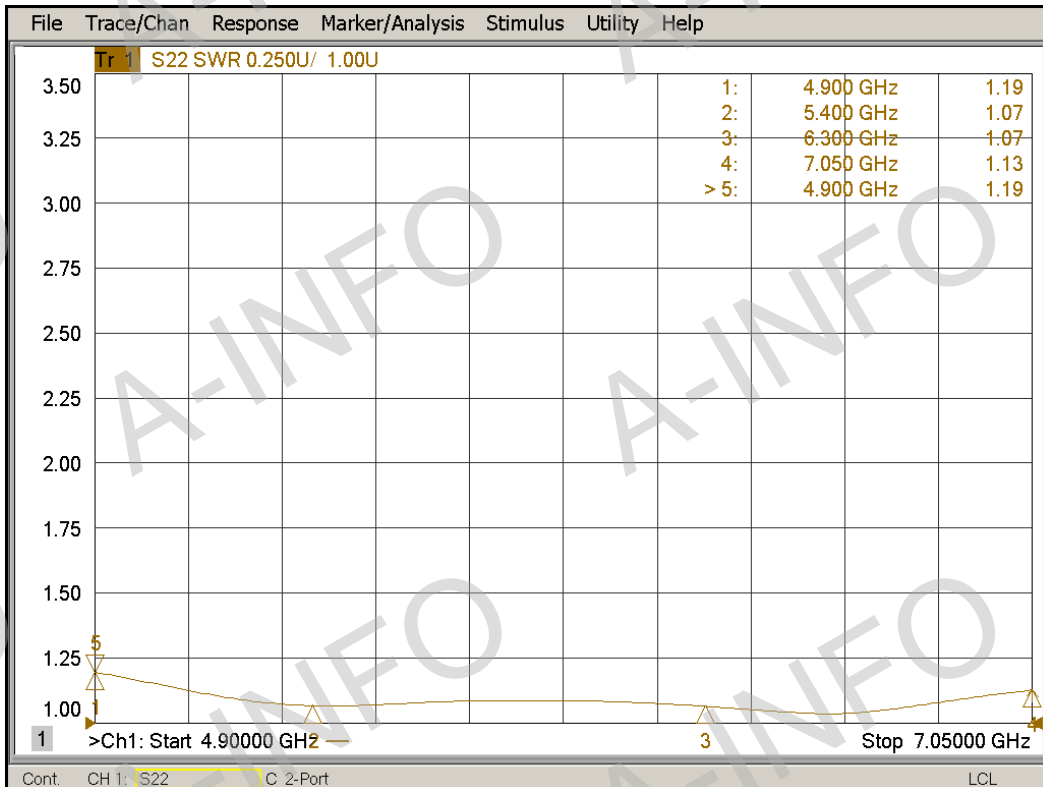
Website: www.ainfoinc.com
Email: sales@ainfoinc.com

Test Results

Insertion Loss (Test with two adapters back to back)



VSWR



AINFO Inc.

Page 4 of 4

China(Beijing):
China(Chengdu):
USA :

Tel: (+86) 10-6266-7326,
Tel: (+86) 28-8519-2786,
Tel: (+1) 949-639-9688,

(+86) 10-6266-7327
(+86) 28-8519-3044
(+1) 949-639-9608

Fax: (+86) 10-6266-7379
Fax: (+86) 28-8519-3068
Fax: (+1) 949-639-9670

Website: www.ainfoinc.com
Email: sales@ainfoinc.com