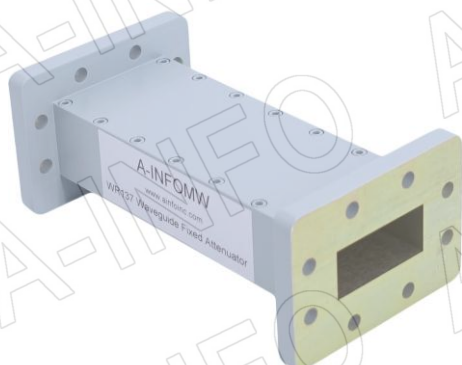


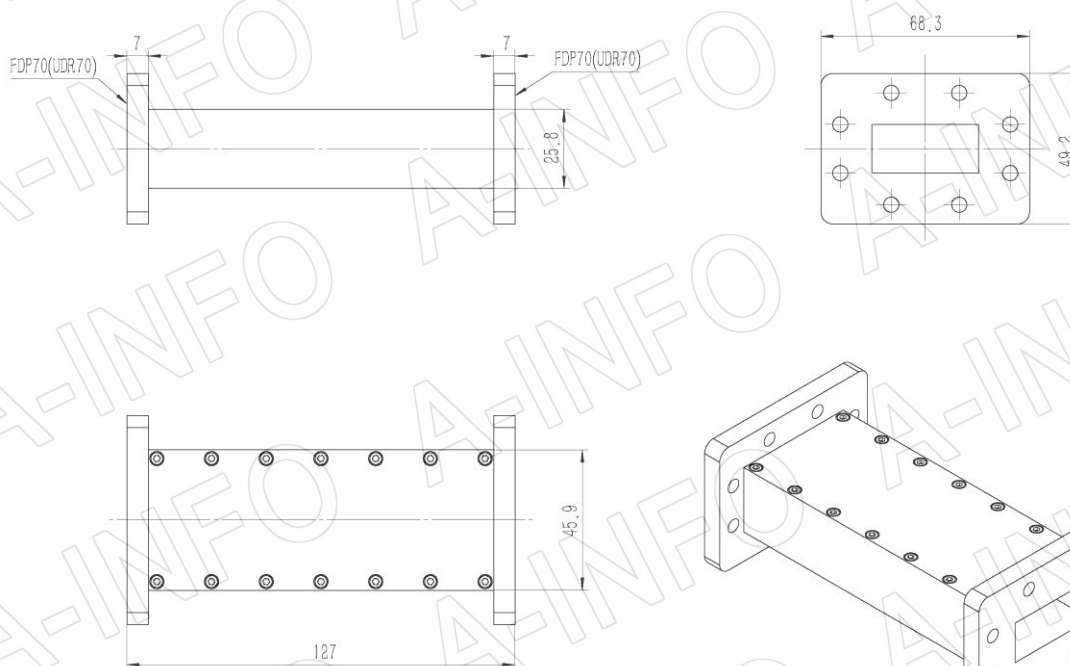
For reference only. See data sheet for the detailed specifications.

Technical Specification



EIA WR	WR137
Frequency Range(GHz)	5.85 – 8.20
Attenuation(dB)	3
Attenuation Accuracy(dB)	±1 Max.
VSWR	1.25:1 Max.
Power Handling(W CW)	6
Flange	FDP70(UDR70)
Material	Al
Size(mm)	127 x 68.3 x 49.2
Net Weight(Kg)	0.31 Around

Outline Drawing (Size: mm)



AINFO Inc.

China(Beijing):

China(Chengdu):

USA :

Tel: (+86) 10-6266-7326,

Tel: (+86) 28-8519-2786,

Tel: (+1) 949-639-9688,

Page 1 of 3

(+86) 10-6266-7327

(+86) 28-8519-3044

(+1) 949-639-9608

Fax: (+86) 10-6266-7379

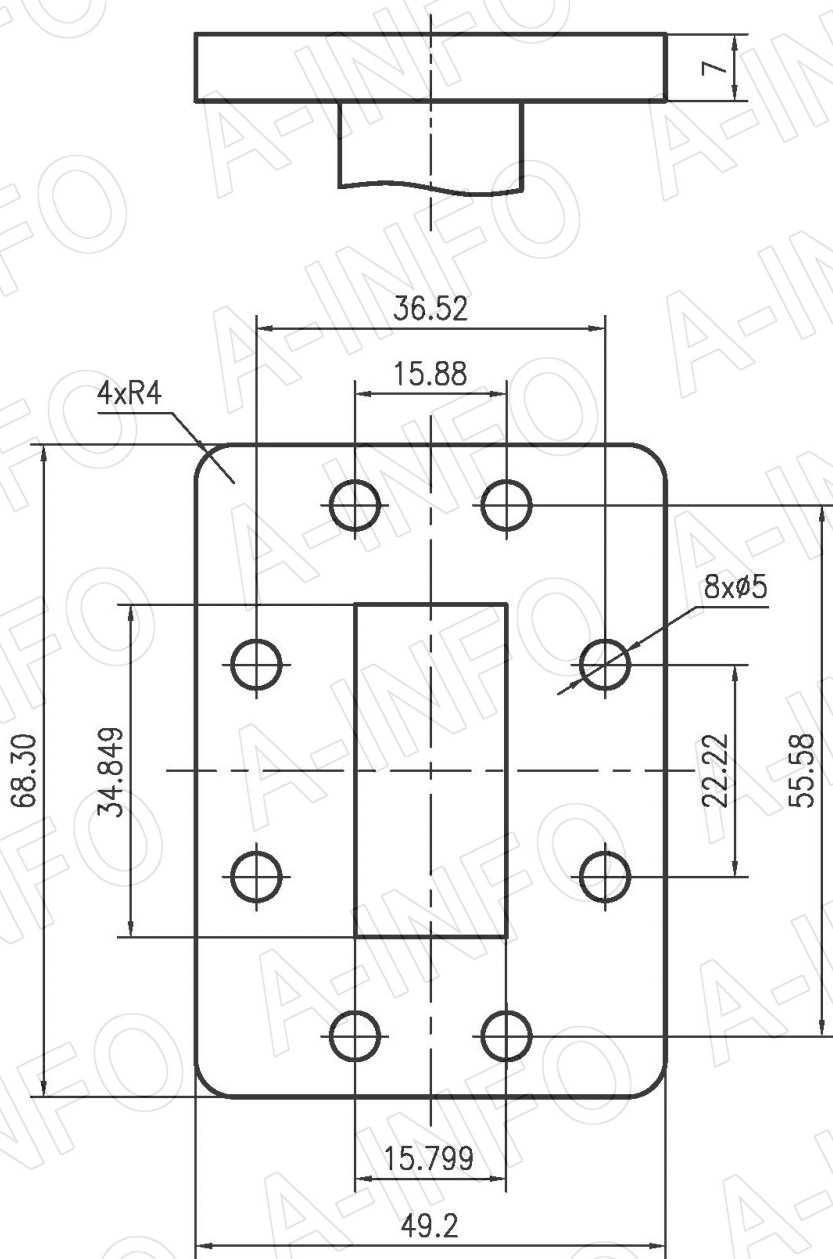
Fax: (+86) 28-8519-3068

Fax: (+1) 949-639-9670

Website: www.ainfoinc.com

Email: sales@ainfoinc.com

Flange Drawing (Size: mm)



FDP70

AINFO Inc.

China(Beijing): Tel: (+86) 10-6266-7326,
China(Chengdu): Tel: (+86) 28-8519-2786,
USA: Tel: (+1) 949-639-9688,

Page 2 of 3

(+86) 10-6266-7327 Fax: (+86) 10-6266-7379
(+86) 28-8519-3044 Fax: (+86) 28-8519-3068
(+1) 949-639-9608 Fax: (+1) 949-639-9670

Website: www.ainfoinc.com
Email: sales@ainfoinc.com

Test Result

Attenuation & VSWR

CH1	\$11	\$WR	250 m / REF 1	5: 1.1072	6.073 250 000 GHz
CH2	\$21	LOG	1 dB/ REF -3 dB	5: -2.3160 dB	5.850 000 000 GHz
CH3	\$21	LOG	1 dB/ REF -3 dB	5: -3.4260 dB	8.164 750 000 GHz
CH4	\$22	\$WR	250 m / REF 1	5: 1.1160	5.850 000 000 GHz

