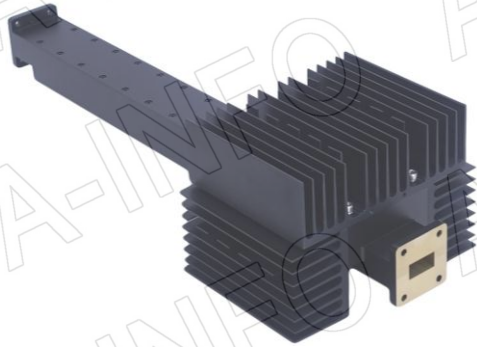


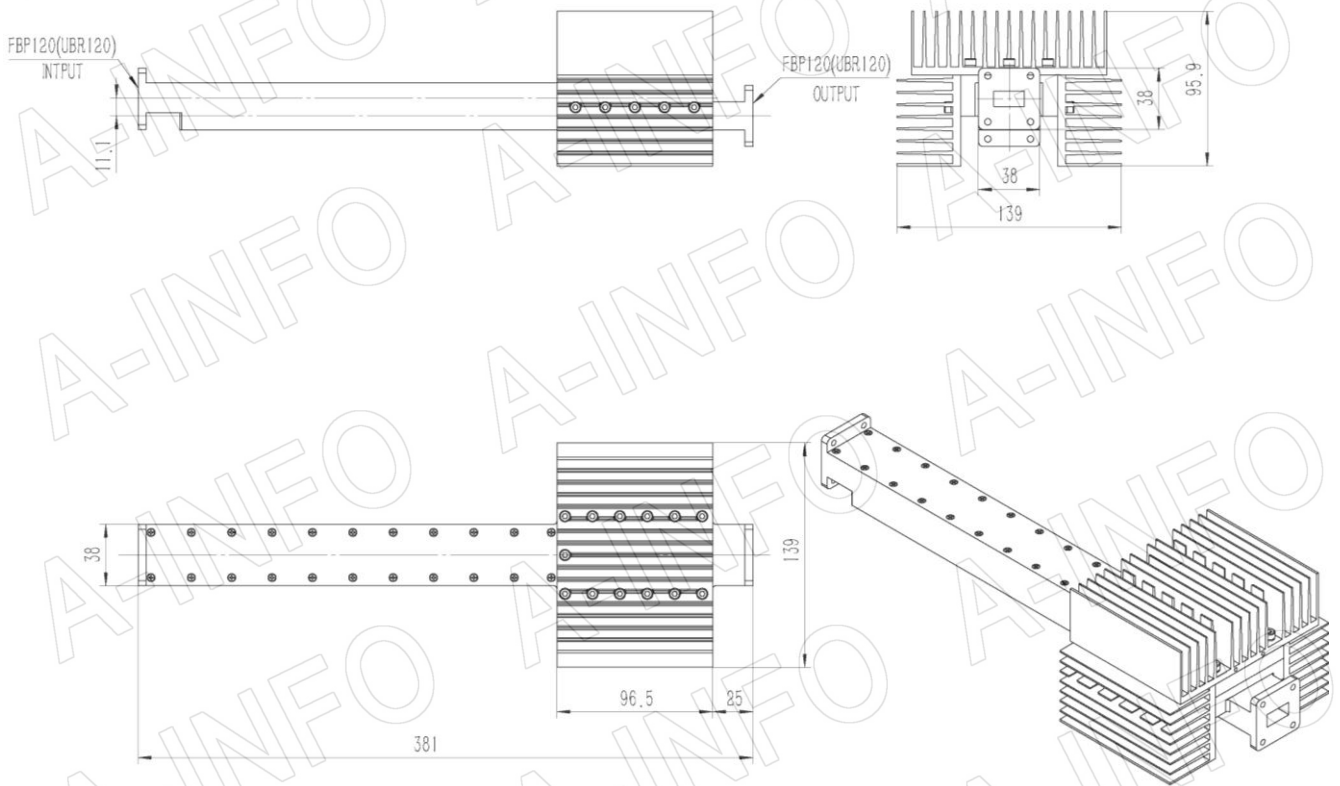
For reference only. See data sheet for the detailed specifications.

Technical Specification



EIA WR	WR75
Frequency Range(GHz)	10.0 – 15.0
Attenuation(dB)	20
Attenuation Accuracy(dB)	±0.9 Max.
Attenuation Sensitivity(dB)	±0.7 Max.
VSWR	1.15:1 Max.
Average Power(W CW)	550
Peak Power(KW)	200
Flange	FBP120(UBR120)
Material	Al
Size(mm)	381 x 139 x 95.9
Net Weight(Kg)	1.79 Around

Outline Drawing (Size: mm)



AINFO Inc.

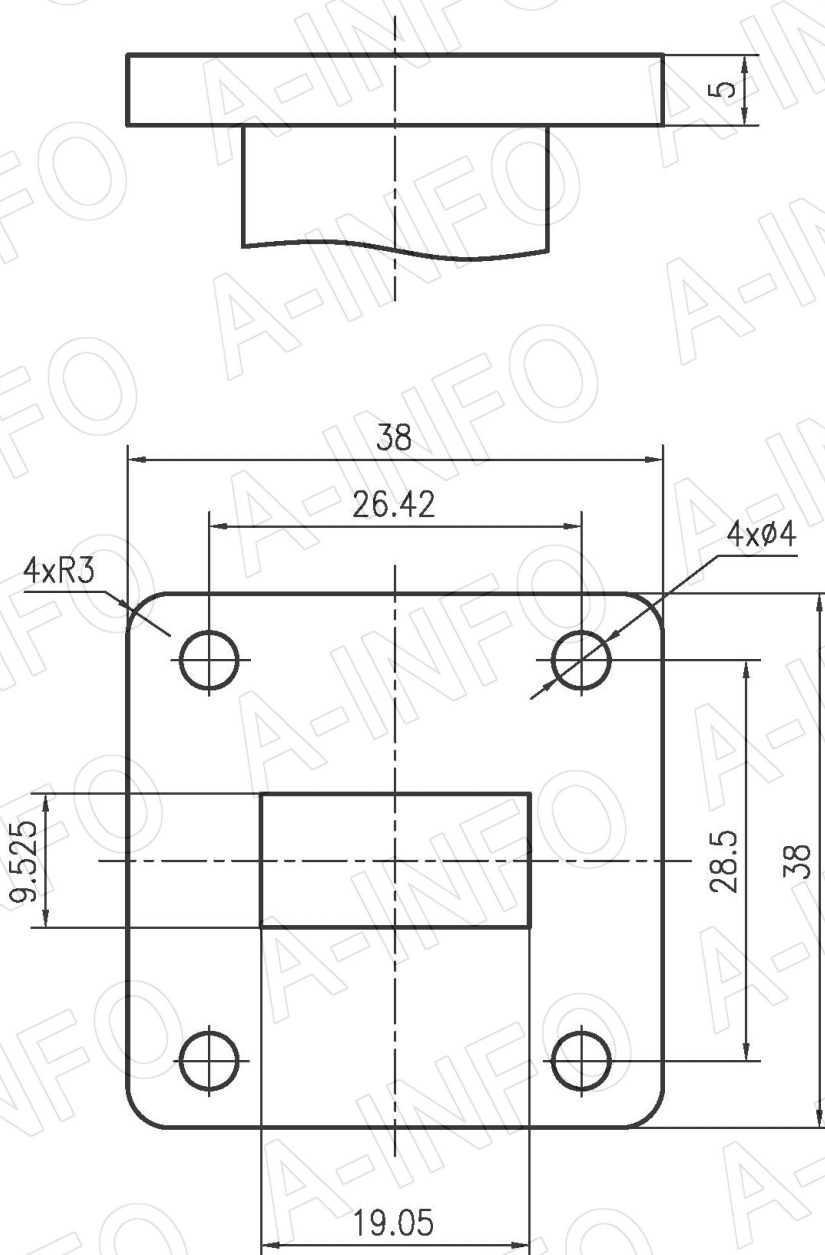
Page 1 of 3

China(Beijing): Tel: (+86) 10-6266-7326,
 China(Chengdu): Tel: (+86) 28-8519-2786,
 USA: Tel: (+1) 949-639-9688,

(+86) 10-6266-7327 Fax: (+86) 10-6266-7379
 (+86) 28-8519-3044 Fax: (+86) 28-8519-3068
 (+1) 949-639-9608 Fax: (+1) 949-639-9670

Website: www.ainfoinc.com
 Email: sales@ainfoinc.com

Flange Drawing (Size: mm)



FBP120

AINFO Inc.

Page 2 of 3

China(Beijing): Tel: (+86) 10-6266-7326,
China(Chengdu): Tel: (+86) 28-8519-2786,
USA : Tel: (+1) 949-639-9688,

(+86) 10-6266-7327 Fax: (+86) 10-6266-7379
(+86) 28-8519-3044 Fax: (+86) 28-8519-3068
(+1) 949-639-9608 Fax: (+1) 949-639-9670

Website: www.ainfoinc.com
Email: sales@ainfoinc.com

Test Result

Attenuation & VSWR

CH1	\$S11	\$SWR	150 m / REF 1	5: 1.0392	14.650 000 000 GHz
CH2	\$S21	LOG	.9 dB/ REF -20 dB	5:- 19.600 dB	15.000 000 000 GHz
CH3	\$S21	LOG	.9 dB/ REF -20 dB	5:- 20.524 dB	12.200 000 000 GHz
CH4	\$S22	\$SWR	150 m / REF 1	5: 1.0484	10.000 000 000 GHz

