

For reference only. See data sheet for the detailed specifications.

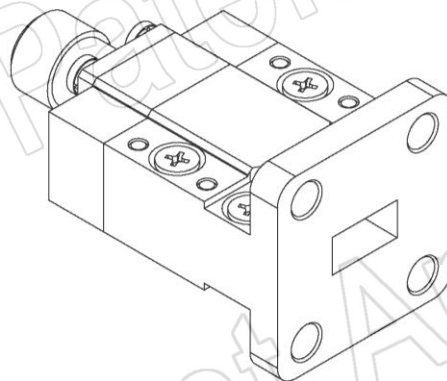
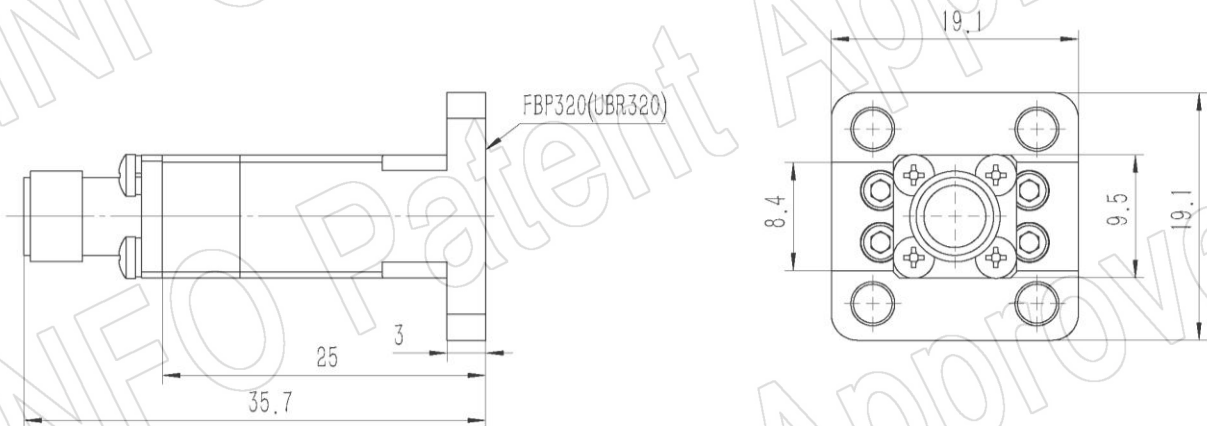
Technical Specification



EIA WR	WR28
Frequency Range(GHz)	24.0 – 50.0
Insertion Loss(dB)	0.6 Max.
VSWR	1.40:1 Max.
Flange	FBP320(UBR320)
Connector	2.4mm-Female
Average Power(W CW)	10 Max.
Peak Power(KW)	0.02
Material	Cu
Size(mm)	35.7 x 19.1 x 19.1
Net Weight(Kg)	0.04 Around

PATENT ID (China) ZL202210278239.X, ZL202220615759.0, ZL202230147593.X

Outline Drawing (Size: mm)



AINFO Inc.

China(Beijing):
China(Chengdu):
USA :

Tel: (+86) 10-6266-7326,
Tel: (+86) 28-8519-2786,
Tel: (+1) 949-639-9688,

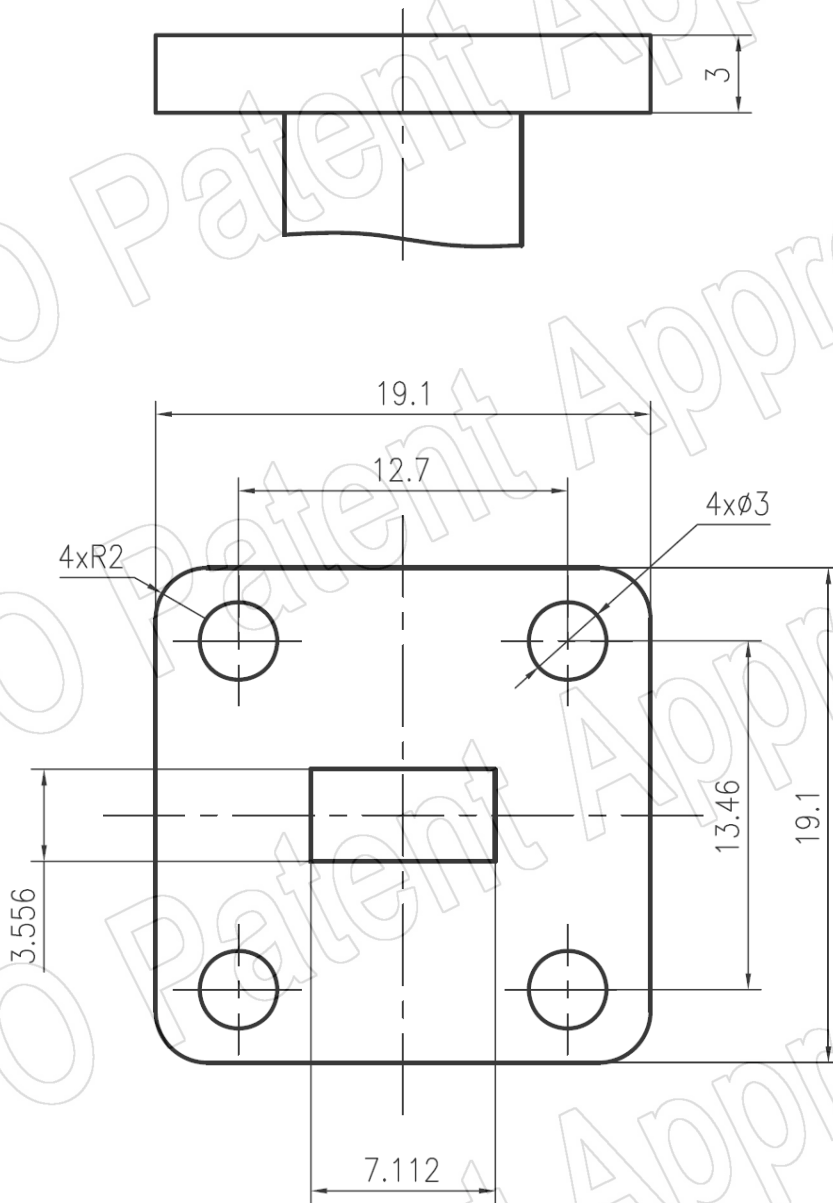
(+86) 10-6266-7327
(+86) 28-8519-3044
(+1) 949-639-9608

Page 1 of 3

Fax: (+86) 10-6266-7379
Fax: (+86) 28-8519-3068
Fax: (+1) 949-639-9670

Website: www.ainfoinc.com
Email: sales@ainfoinc.com

Flange Drawing (Size: mm)



FBP320

AINFO Inc.

China(Beijing):
China(Chengdu):
USA :

Tel: (+86) 10-6266-7326,
Tel: (+86) 28-8519-2786,
Tel: (+1) 949-639-9688,

(+86) 10-6266-7327
(+86) 28-8519-3044
(+1) 949-639-9608

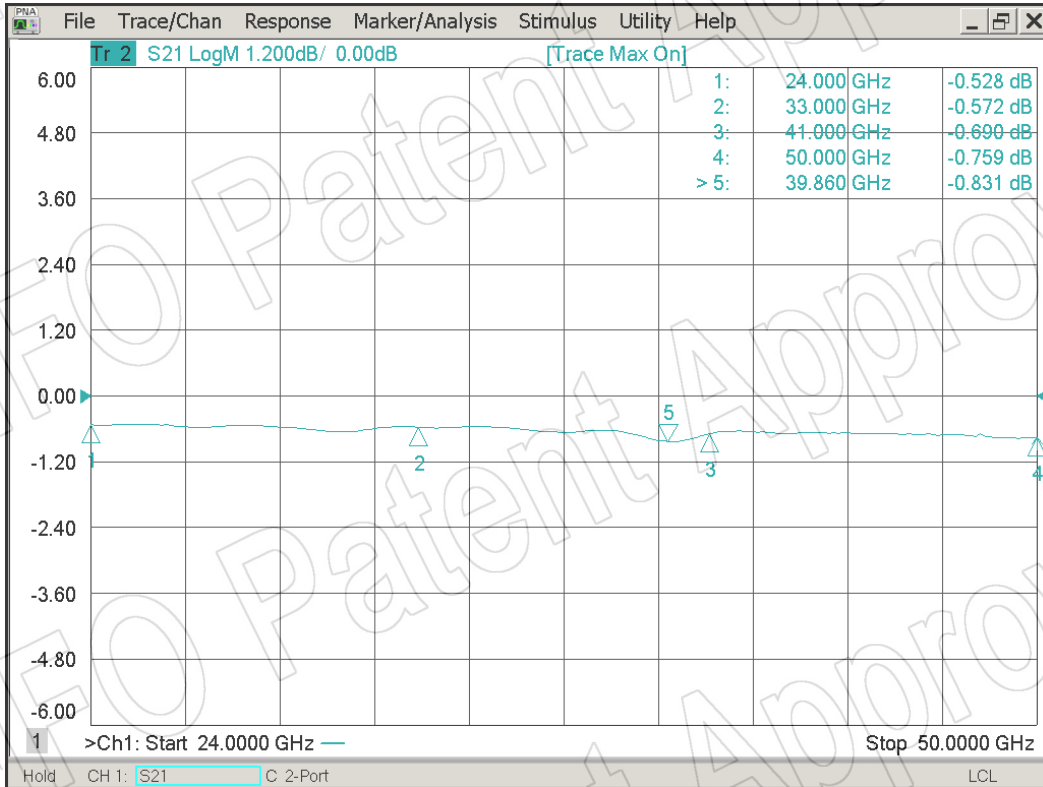
Page 2 of 3

Fax: (+86) 10-6266-7379
Fax: (+86) 28-8519-3068
Fax: (+1) 949-639-9670

Website: www.ainfoinc.com
Email: sales@ainfoinc.com

Test results

I. L. (Test with two adapters back to back)



VSWR

