

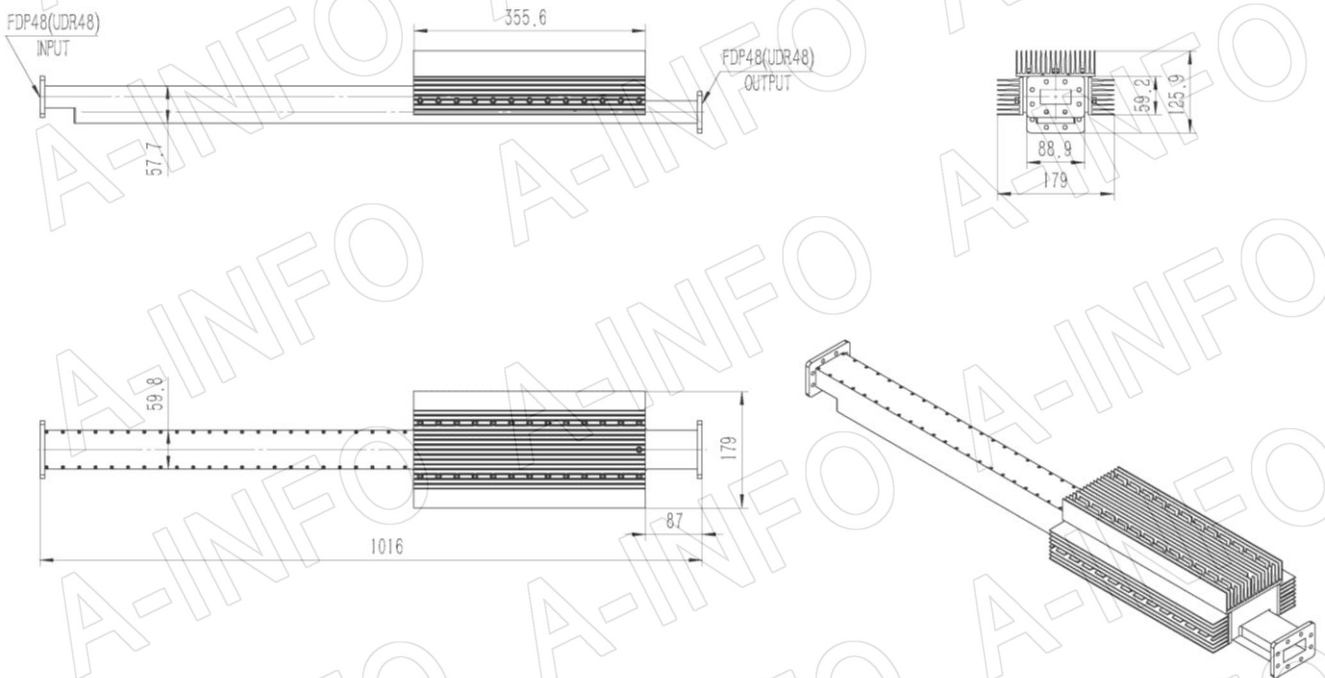
For reference only. See data sheet for the detailed specifications.

## Technical Specification



| EIA WR                      | WR187              |
|-----------------------------|--------------------|
| Frequency Range(GHz)        | 3.95 – 5.85        |
| Attenuation(dB)             | 50                 |
| Attenuation Accuracy(dB)    | ±0.9 Max.          |
| Attenuation Sensitivity(dB) | ±0.7 Max.          |
| VSWR                        | 1.10:1 Max.        |
| Average Power(W CW)         | 2000               |
| Peak Power(KW)              | 2000               |
| Flange                      | FDP48(UDR48)       |
| Material                    | Al                 |
| Size(mm)                    | 1016 x 179 x 125.9 |
| Net Weight(Kg)              | 10.1 Around        |

## Outline Drawing (Size: mm)



AINFO Inc.

Page 1 of 3

China(Beijing):  
China(Chengdu):  
USA :

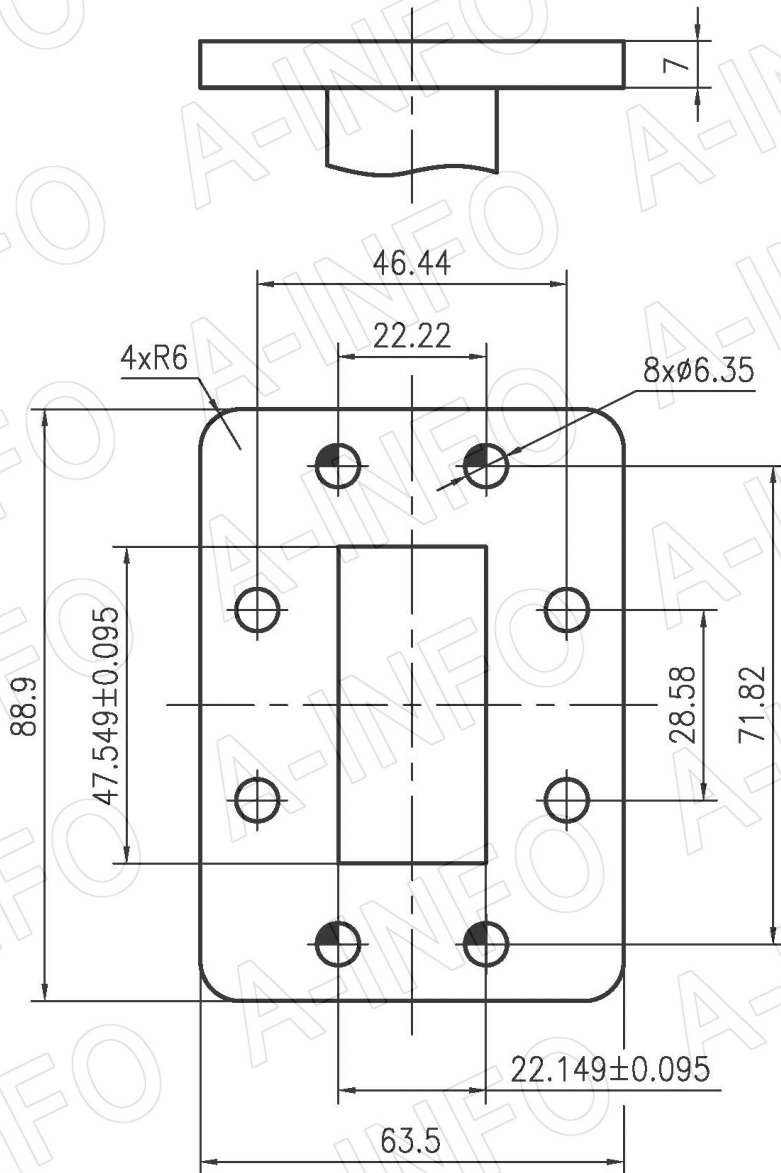
Tel: (+86) 10-6266-7326,  
Tel: (+86) 28-8519-2786,  
Tel: (+1) 949-639-9688,

(+86) 10-6266-7327  
(+86) 28-8519-3044  
(+1) 949-639-9608

Fax: (+86) 10-6266-7379  
Fax: (+86) 28-8519-3068  
Fax: (+1) 949-639-9670

Website: [www.ainfoinc.com](http://www.ainfoinc.com)  
Email: [sales@ainfoinc.com](mailto:sales@ainfoinc.com)

## Flange Drawing (Size: mm)



### FDP48

AINFO Inc.

Page 2 of 3

China(Beijing):  
China(Chengdu):  
USA :

Tel: (+86) 10-6266-7326,  
Tel: (+86) 28-8519-2786,  
Tel: (+1) 949-639-9688,

(+86) 10-6266-7327  
(+86) 28-8519-3044  
(+1) 949-639-9608

Fax: (+86) 10-6266-7379  
Fax: (+86) 28-8519-3068  
Fax: (+1) 949-639-9670

Website: [www.ainfoinc.com](http://www.ainfoinc.com)  
Email: [sales@ainfoinc.com](mailto:sales@ainfoinc.com)

## Test Results

### Attenuation & VSWR

