

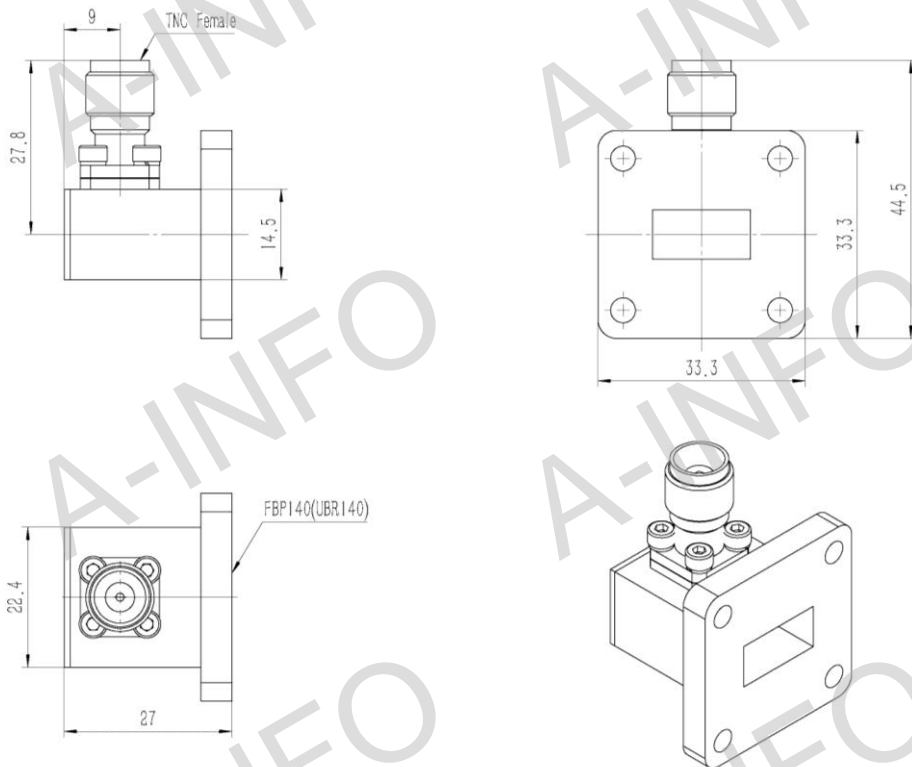
Technical Specification



EIA WR	WR62
Frequency Range(GHz)	12.4 - 18.0
Insertion Loss(dB)	0.23 Max.
VSWR	1.25:1 Max.
Flange	FBP140(UBR140)
Connector	TNC-Female or TNC-Male
Average Power(W CW)	150
Peak Power(KW)	3
Material	Al
Size(mm)	27 x 33.3 x 44.5
Net Weight(Kg)	0.03 Around

Outline Drawing (Size: mm)

62WCAT (With TNC-Female Output)



AINFO Inc.

Page 1 of 3

China(Beijing):
China(Chengdu):
USA :

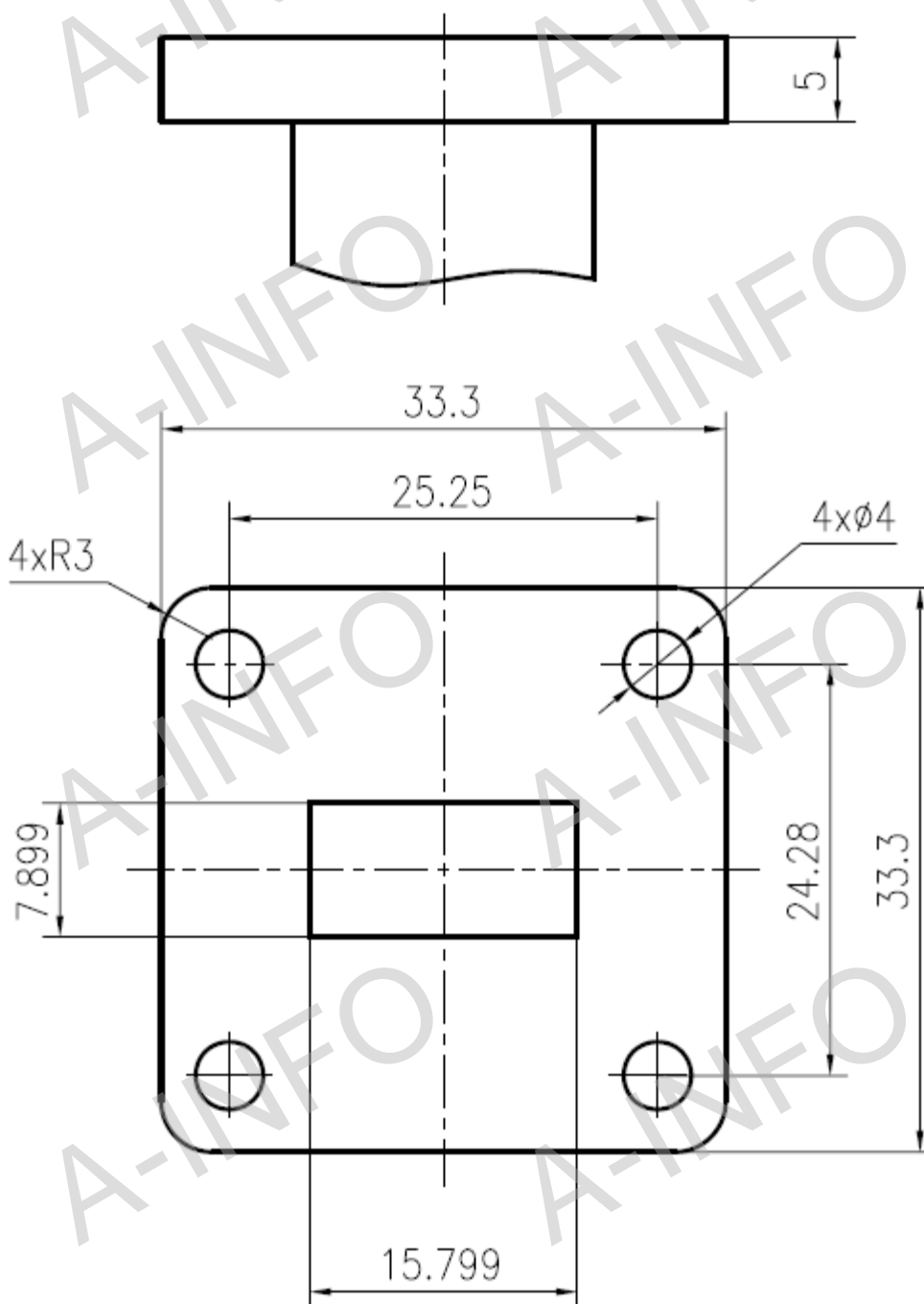
Tel: (+86) 10-6266-7326,
Tel: (+86) 28-8519-2786,
Tel: (+1) 949-639-9688,

(+86) 10-6266-7327
(+86) 28-8519-3044
(+1) 949-639-9608

Fax: (+86) 10-6266-7379
Fax: (+86) 28-8519-3068
Fax: (+1) 949-639-9670

Website: www.ainfoinc.com
Email: sales@ainfoinc.com

Flange Drawing (Size: mm)



FBP140

AINFO Inc.

Page 2 of 3

China(Beijing):
China(Chengdu):
USA :

Tel: (+86) 10-6266-7326,
Tel: (+86) 28-8519-2786,
Tel: (+1) 949-639-9688,

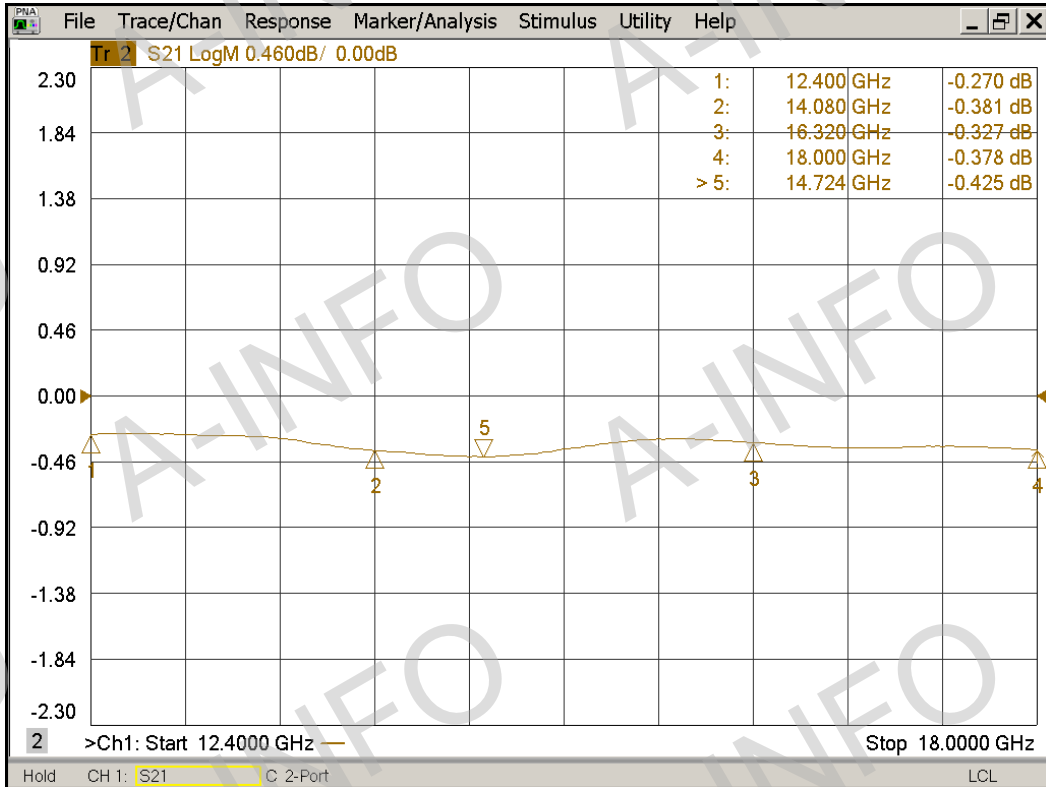
(+86) 10-6266-7327
(+86) 28-8519-3044
(+1) 949-639-9608

Fax: (+86) 10-6266-7379
Fax: (+86) 28-8519-3068
Fax: (+1) 949-639-9670

Website: www.ainfoinc.com
Email: sales@ainfoinc.com

Test Results

I. L. (Test with two adapters back to back)



VSWR

