

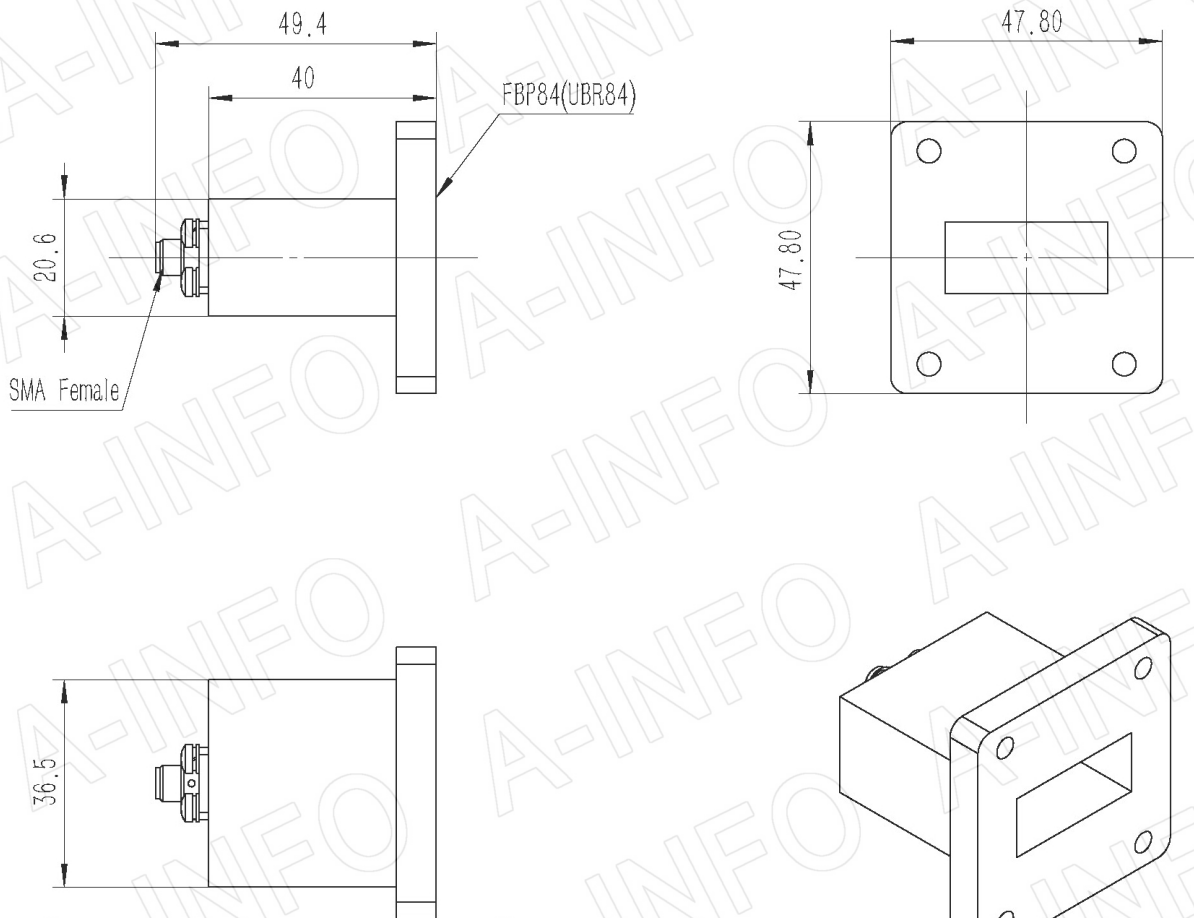
For reference only. See data sheet for the detailed specifications.

Technical Specification

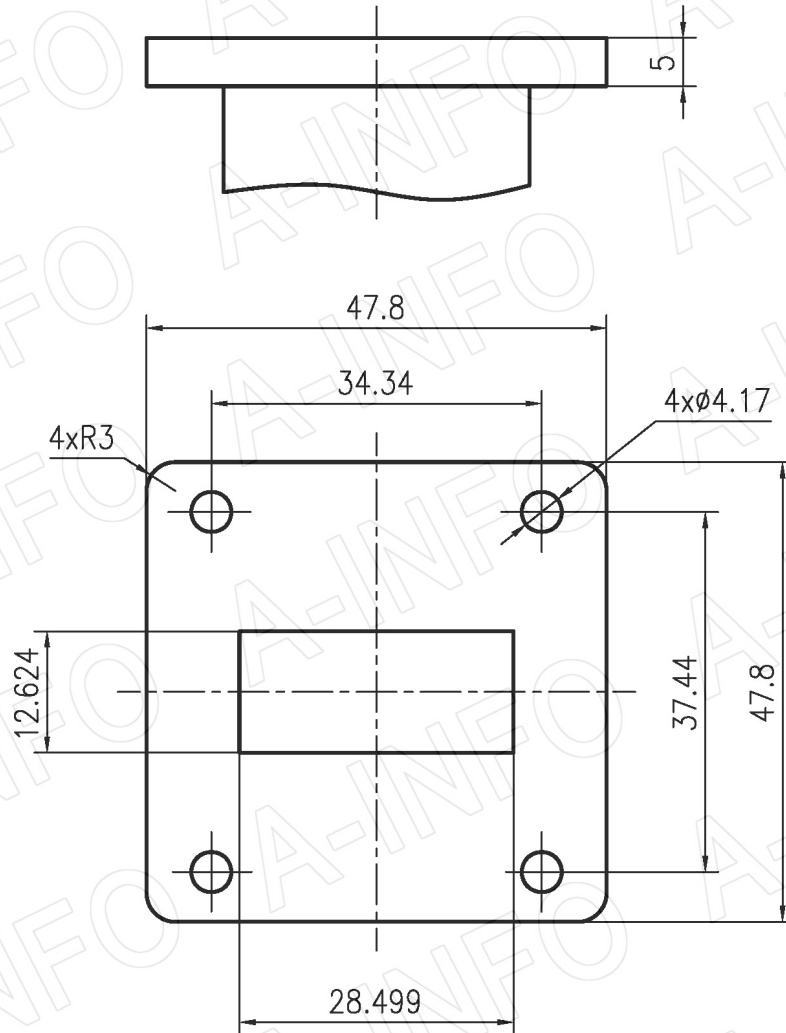


EIA WR	WR112
Frequency Range(GHz)	7.05 – 10.0
Insertion Loss(dB)	0.3 Max.
VSWR	1.25:1 Max.
Flange	FBP84(UBR84)
Connector	SMA-Female
Average Power(W CW)	50 Max.
Peak Power(KW)	3
Material	Al
Size(mm)	49.4 x 47.8 x 47.8
Net Weight(Kg)	0.08 Around

Outline Drawing (Size: mm)



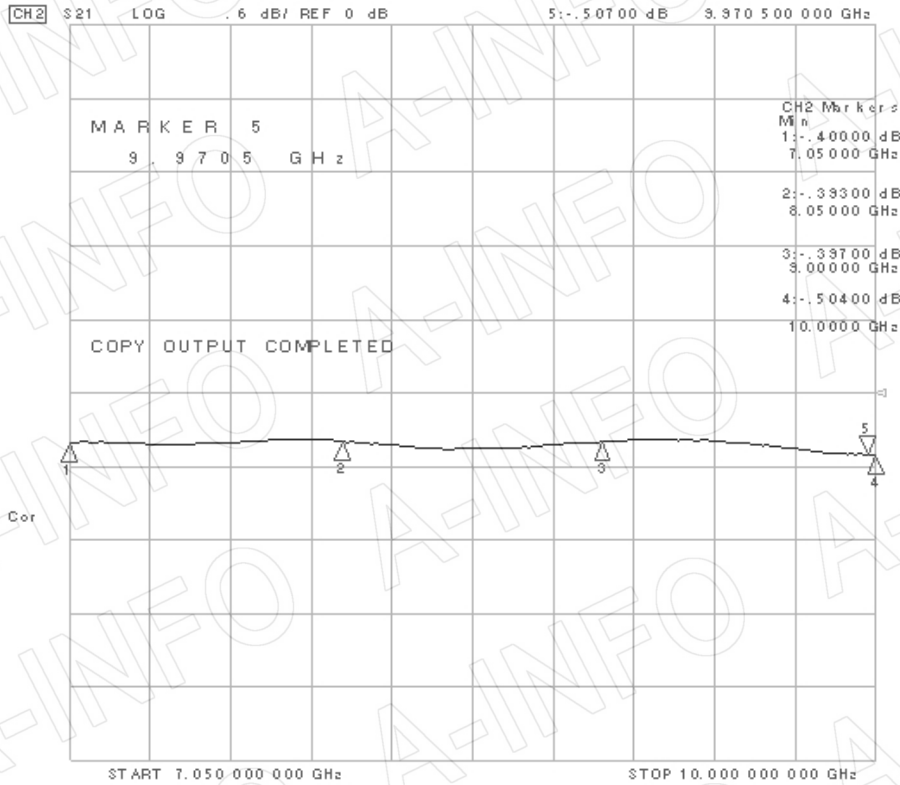
Flange Drawing (Size: mm)



FBP84

Test Results

I. L. (Test with two adapters back to back)



VSWR

