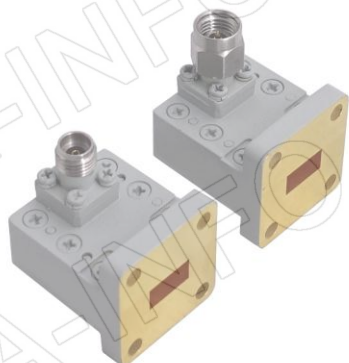


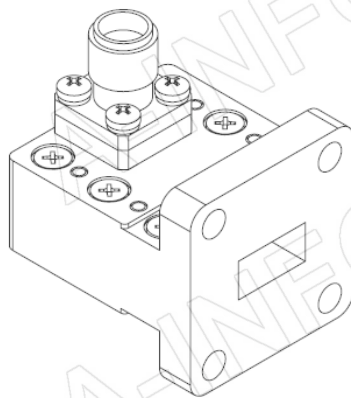
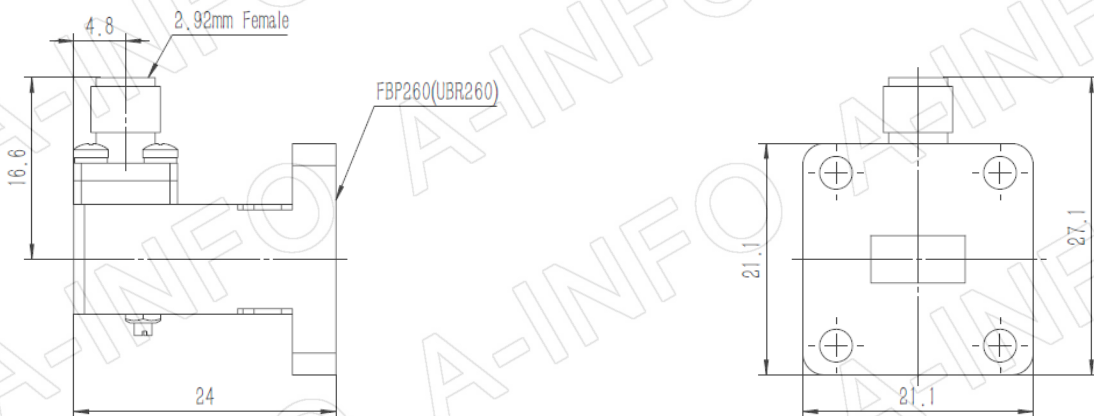
Technical Specification



EIA WR	WR34
Frequency Range(GHz)	22.0 - 33.0
Insertion Loss(dB)	0.35 Max.
VSWR	1.25:1 Max.
Flange	FBP260(UBR260)
Connector	2.92mm-Female or 2.92mm-Male
Average Power(W CW)	20 Max.
Peak Power(KW)	0.04
Material	Cu
Size(mm)	24 x 21.1 x 27.1
Net Weight(Kg)	0.05 Around

Outline Drawing (Size: mm)

34WCAK_Cu (With 2.92mm-Female Output)



AINFO Inc.

Page 1 of 4

China(Beijing):
China(Chengdu):
USA :

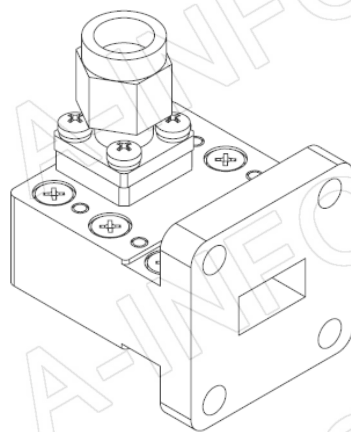
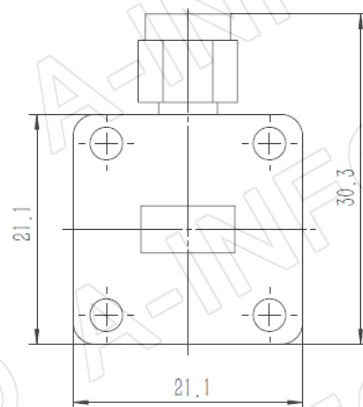
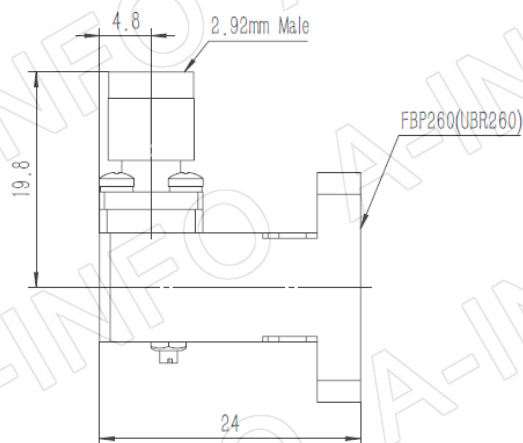
Tel: (+86) 10-6266-7326,
Tel: (+86) 28-8519-2786,
Tel: (+1) 949-639-9688,

(+86) 10-6266-7327
(+86) 28-8519-3044
(+1) 949-639-9608

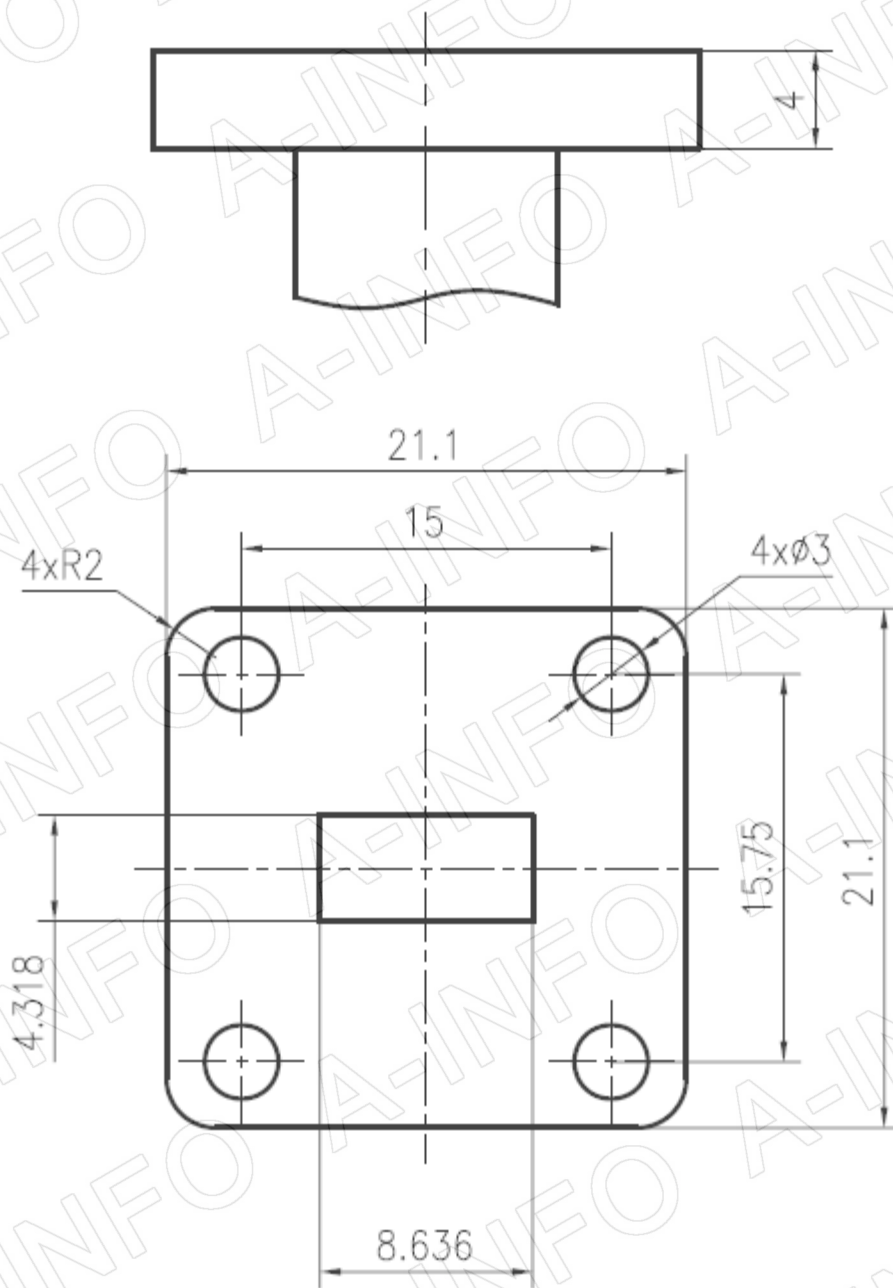
Fax: (+86) 10-6266-7379
Fax: (+86) 28-8519-3068
Fax: (+1) 949-639-9670

Website: www.ainfoinc.com
Email: sales@ainfoinc.com

34WCAKM_Cu (With 2.92mm-Male Output)



Flange Drawing (Size: mm)



FBP260

AINFO Inc.

Page 3 of 4

China(Beijing):
China(Chengdu):
USA :

Tel: (+86) 10-6266-7326,
Tel: (+86) 28-8519-2786,
Tel: (+1) 949-639-9688,

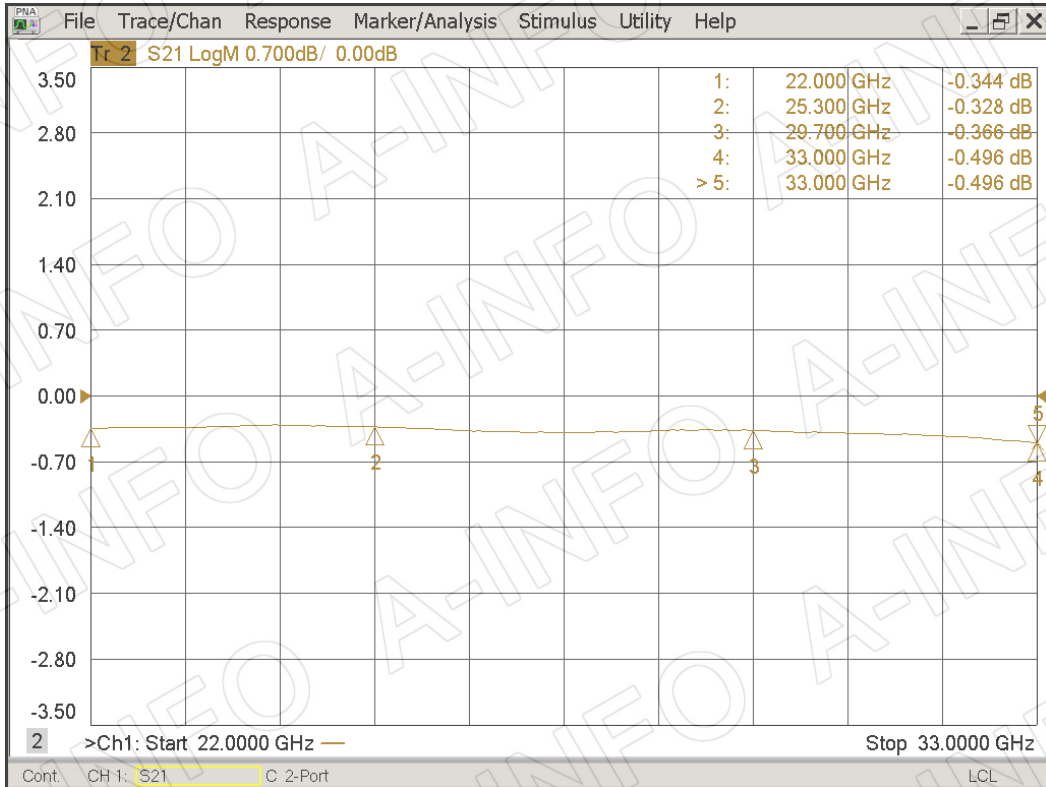
(+86) 10-6266-7327
(+86) 28-8519-3044
(+1) 949-639-9608

Fax: (+86) 10-6266-7379
Fax: (+86) 28-8519-3068
Fax: (+1) 949-639-9670

Website: www.ainfoinc.com
Email: sales@ainfoinc.com

Test Results

I. L. (Test with two adapters back to back)



VSWR

