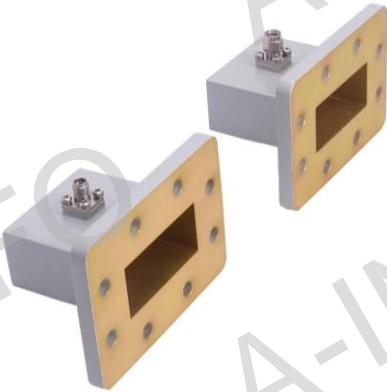


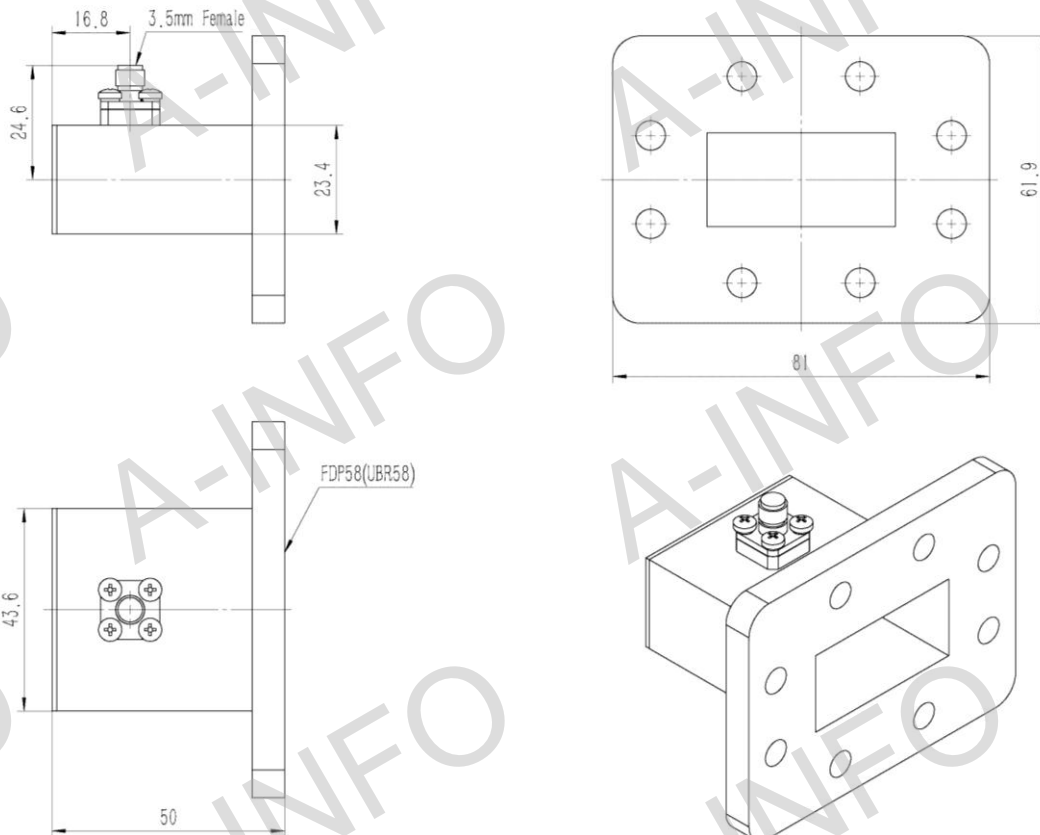
Technical Specification



EIA WR	WR159
Frequency Range(GHz)	4.90 – 7.05
Insertion Loss(dB)	0.18 Max.
VSWR	1.25:1 Max.
Flange	FDP58(UDR58)
Connector	3.5mm-Female or 3.5mm-Male
Average Power(W CW)	50 Max.
Peak Power(KW)	0.1
Material	Al
Size(mm)	50 x 81 x 61.9
Net Weight(Kg)	0.12 Around

Outline Drawing (Size: mm)

159WCA3.5 (With 3.5mm-Female Output)



AINFO Inc.

Page 1 of 4

China(Beijing):
China(Chengdu):
USA :

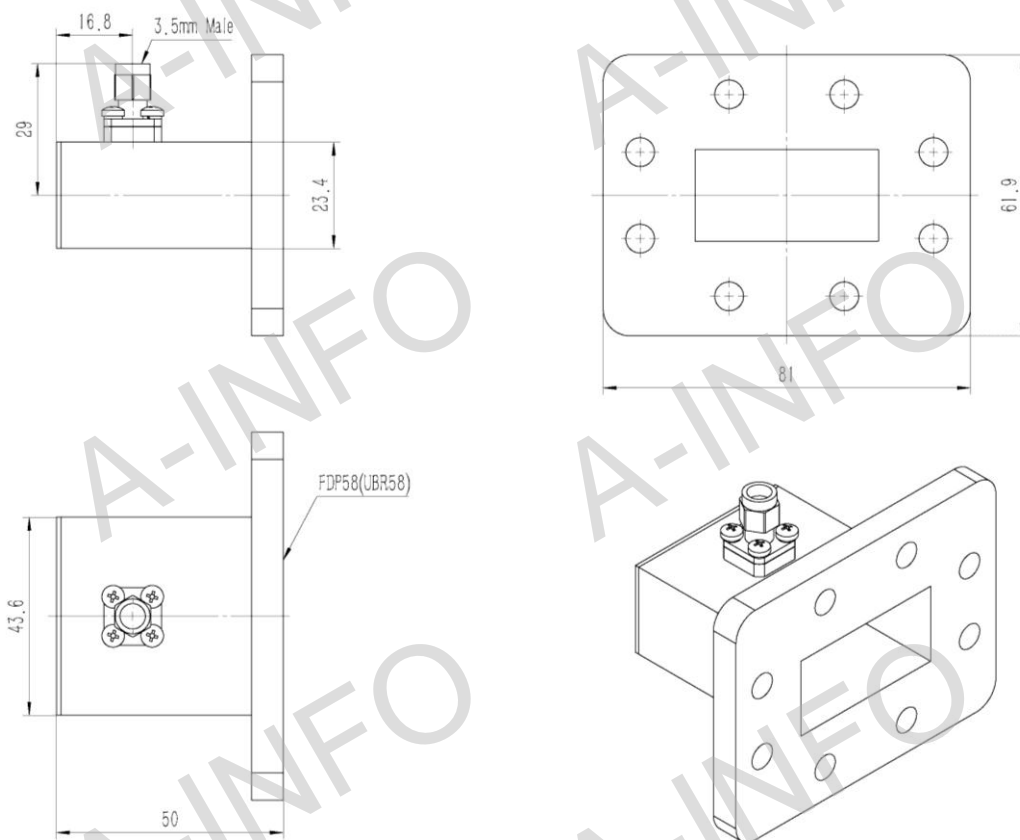
Tel: (+86) 10-6266-7326,
Tel: (+86) 28-8519-2786,
Tel: (+1) 949-639-9688,

(+86) 10-6266-7327
(+86) 28-8519-3044
(+1) 949-639-9608

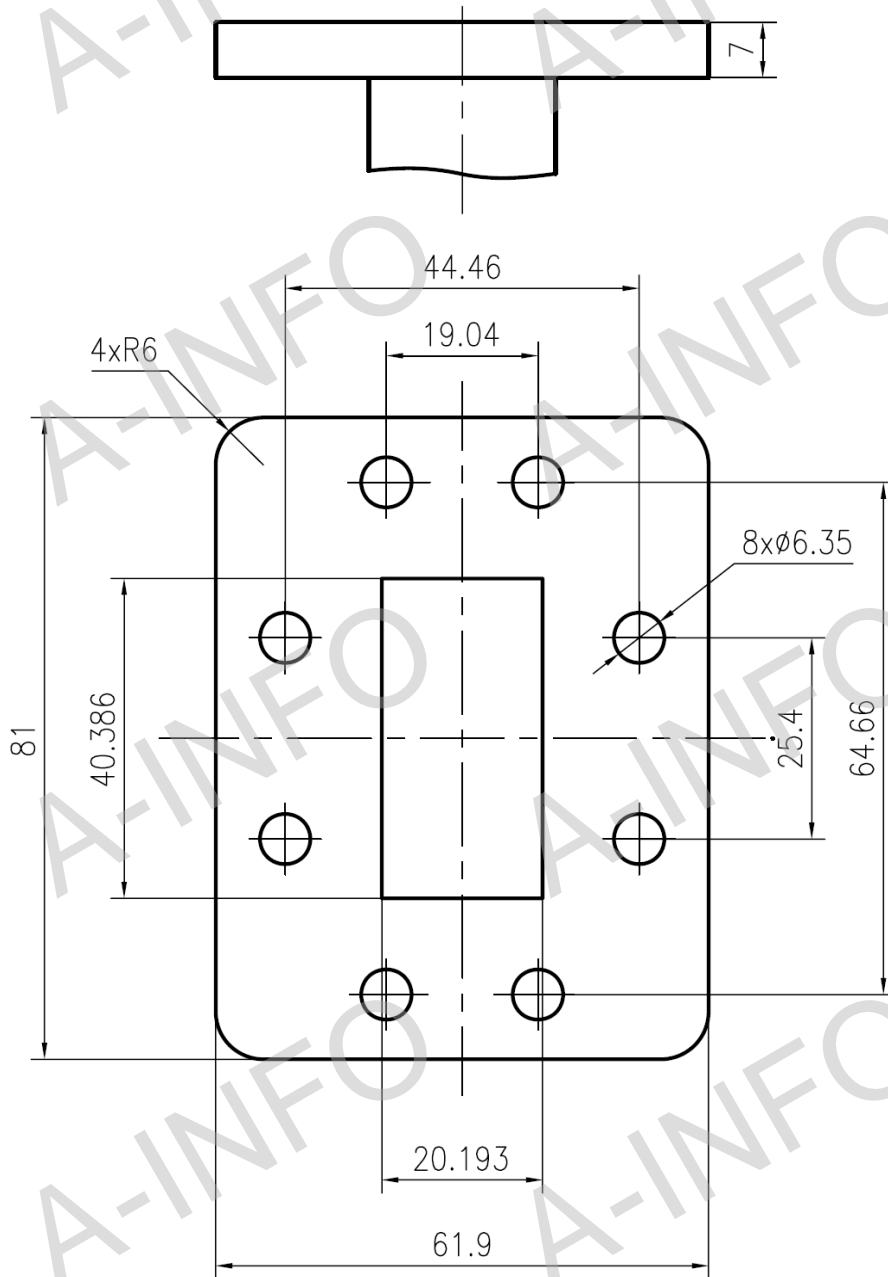
Fax: (+86) 10-6266-7379
Fax: (+86) 28-8519-3068
Fax: (+1) 949-639-9670

Website: www.ainfoinc.com
Email: sales@ainfoinc.com

159WCA3.5M (With 3.5mm-Male Output)



Flange Drawing (Size: mm)



FDP58

AINFO Inc.

Page 3 of 4

China(Beijing):
China(Chengdu):
USA :

Tel: (+86) 10-6266-7326,
Tel: (+86) 28-8519-2786,
Tel: (+1) 949-639-9688,

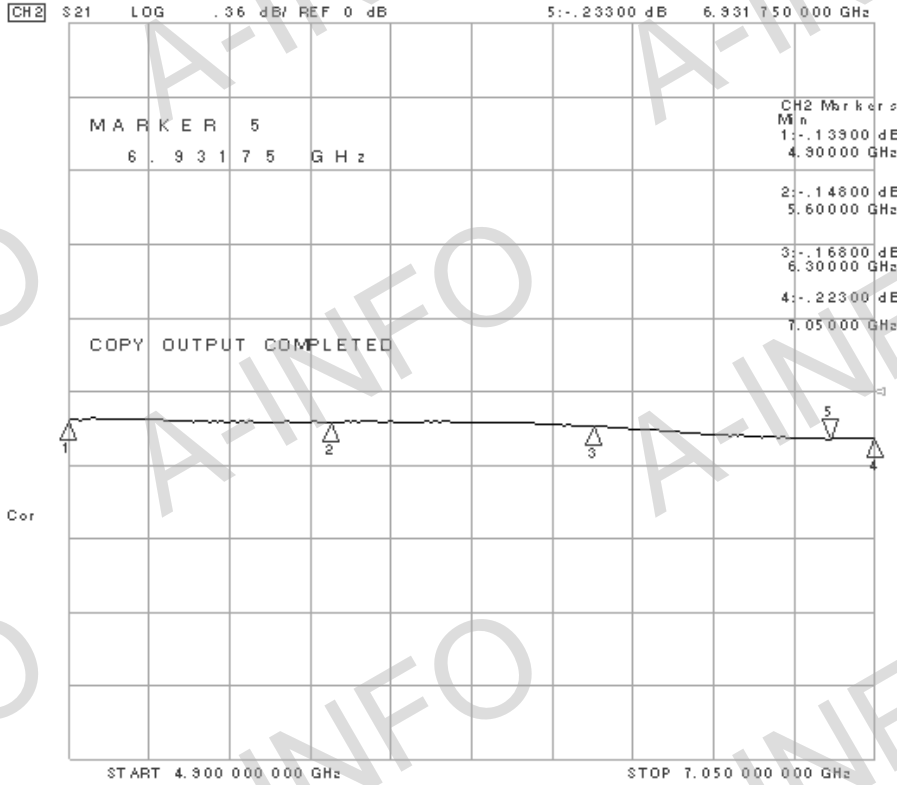
(+86) 10-6266-7327
(+86) 28-8519-3044
(+1) 949-639-9608

Fax: (+86) 10-6266-7379
Fax: (+86) 28-8519-3068
Fax: (+1) 949-639-9670

Website: www.ainfoinc.com
Email: sales@ainfoinc.com

Test Results

Insertion Loss (Test with two adapters back to back)



VSWR

