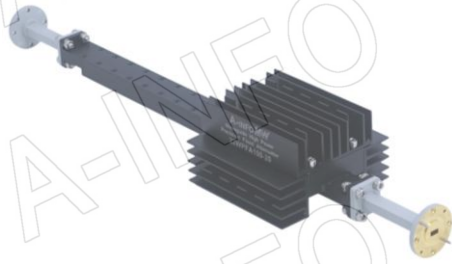


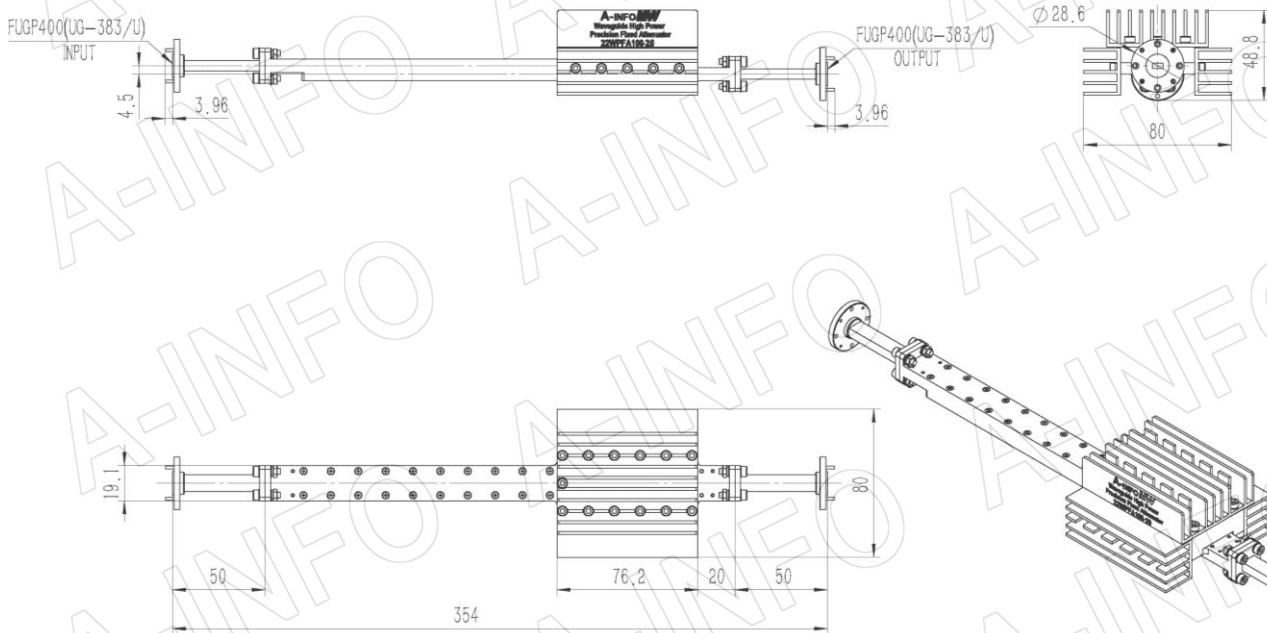
For reference only. See data sheet for the detailed specifications.

Technical Specification



EIA WR	WR22
Frequency Range(GHz)	33.0 – 50.0
Attenuation(dB)	20
Attenuation Accuracy(dB)	±2 Max.
Attenuation Sensitivity(dB)	±2 Max.
VSWR	1.20:1 Max.
Average Power(W CW)	100
Peak Power(KW)	50
Flange	FUGP400(UG-383/U)
Material	Al
Size(mm)	354 x 80 x 48.8
Net Weight(Kg)	0.45 Around

Outline Drawing (Size: mm)



AINFO Inc.

China(Beijing): Tel: (+86) 10-6266-7326,
 China(Chengdu): Tel: (+86) 28-8519-2786,
 USA: Tel: (+1) 949-639-9688,

Page 1 of 3

(+86) 10-6266-7327 Fax: (+86) 10-6266-7379
 (+86) 28-8519-3044 Fax: (+86) 28-8519-3068
 (+1) 949-639-9608 Fax: (+1) 949-639-9670

Website: www.ainfoinc.com
 Email: sales@ainfoinc.com

Test Result

Attenuation & VSWR

