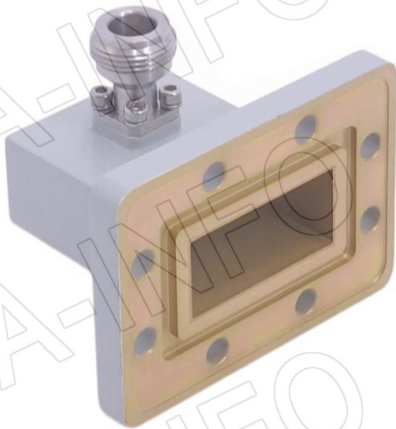
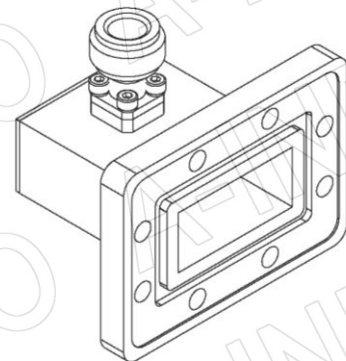
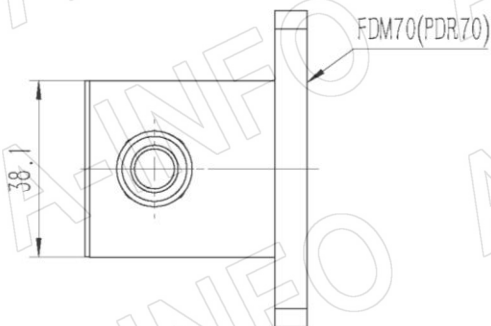
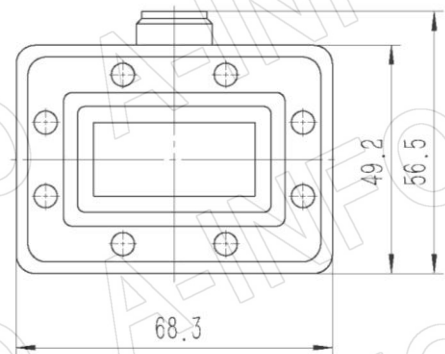
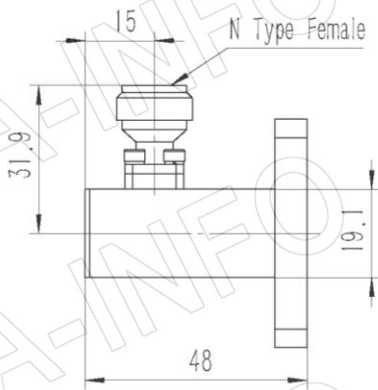


Technical Specification



| | |
|----------------------|------------------|
| EIA WR | WR137 |
| Frequency Range(GHz) | 5.85 – 8.20 |
| Insertion Loss(dB) | 0.17 Max. |
| VSWR | 1.25:1 Max. |
| Flange | FDM70(PDR70) |
| Connector | N-Female |
| Average Power(W CW) | 150 Max. |
| Peak Power(KW) | 3 |
| Material | Al |
| Size(mm) | 48 x 68.3 x 56.5 |
| Net Weight(Kg) | 0.09 Around |

Outline Drawing (Size: mm)



AINFO Inc.

Page 1 of 3

China(Beijing):
China(Chengdu):
USA :

Tel: (+86) 10-6266-7326,
Tel: (+86) 28-8519-2786,
Tel: (+1) 949-639-9688,

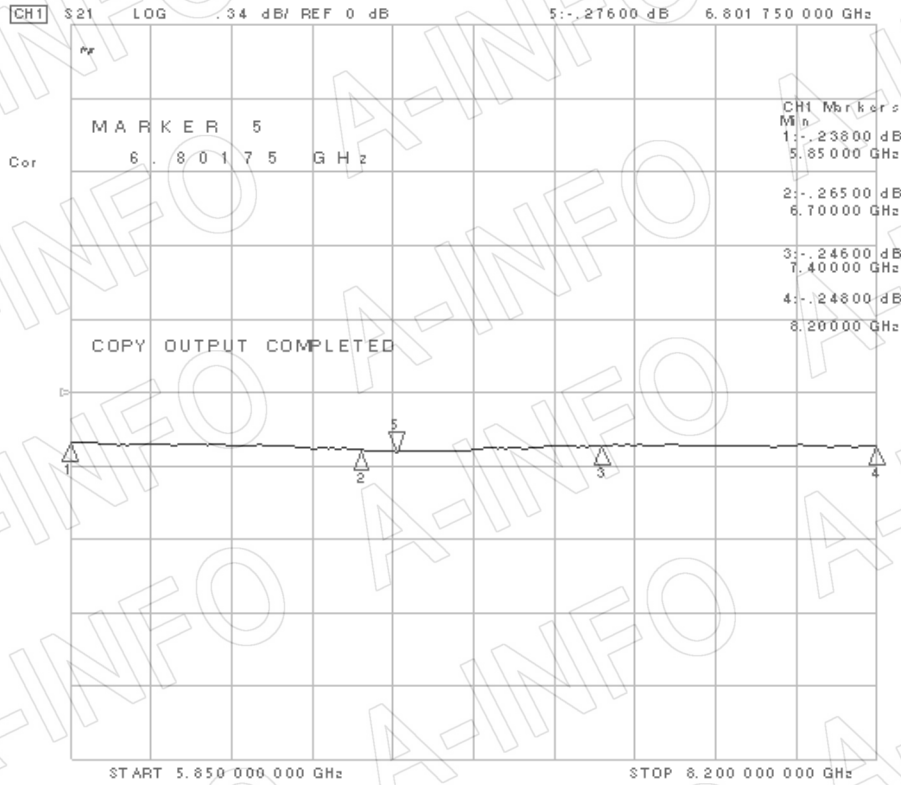
(+86) 10-6266-7327
(+86) 28-8519-3044
(+1) 949-639-9608

Fax: (+86) 10-6266-7379
Fax: (+86) 28-8519-3068
Fax: (+1) 949-639-9670

Website: www.ainfoinc.com
Email: sales@ainfoinc.com

Test Results

Insertion Loss (Test with two adapters back to back)



VSWR

