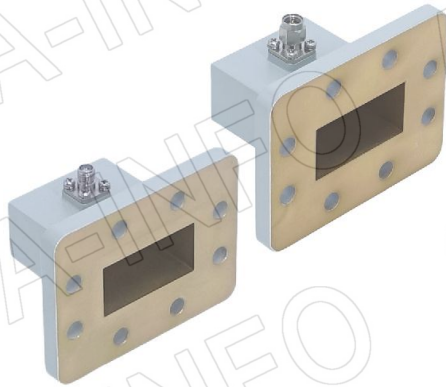


For reference only. See data sheet for the detailed specifications.

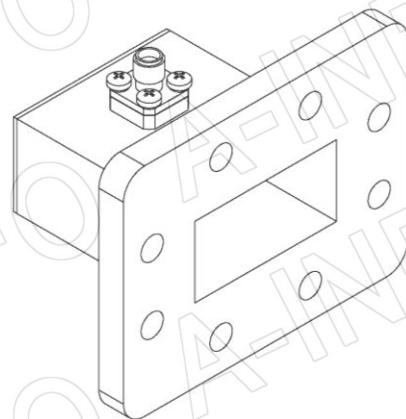
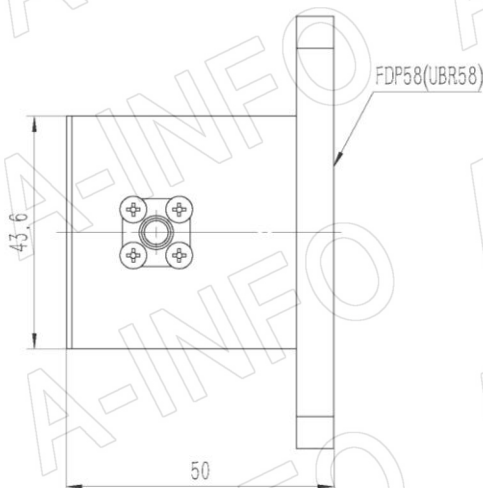
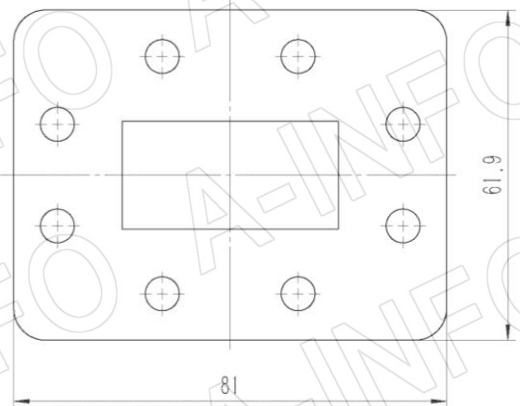
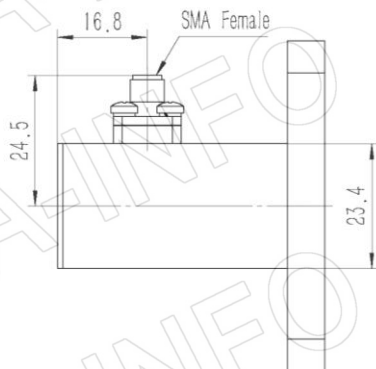
Technical Specification



EIA WR	WR159
Frequency Range(GHz)	4.90 – 7.05
Insertion Loss(dB)	0.18 Max.
VSWR	1.25:1 Max.
Flange	FDP58(UDR58)
Connector	SMA-Female or SMA-Male
Average Power(W CW)	150 Max.
Peak Power(KW)	3
Material	Al
Size(mm)	50 x 81 x 61.9
Net Weight(Kg)	0.12 Around

Outline Drawing (Size: mm)

SMA-Female Output (P/N: 159WCAS)



AINFO Inc.

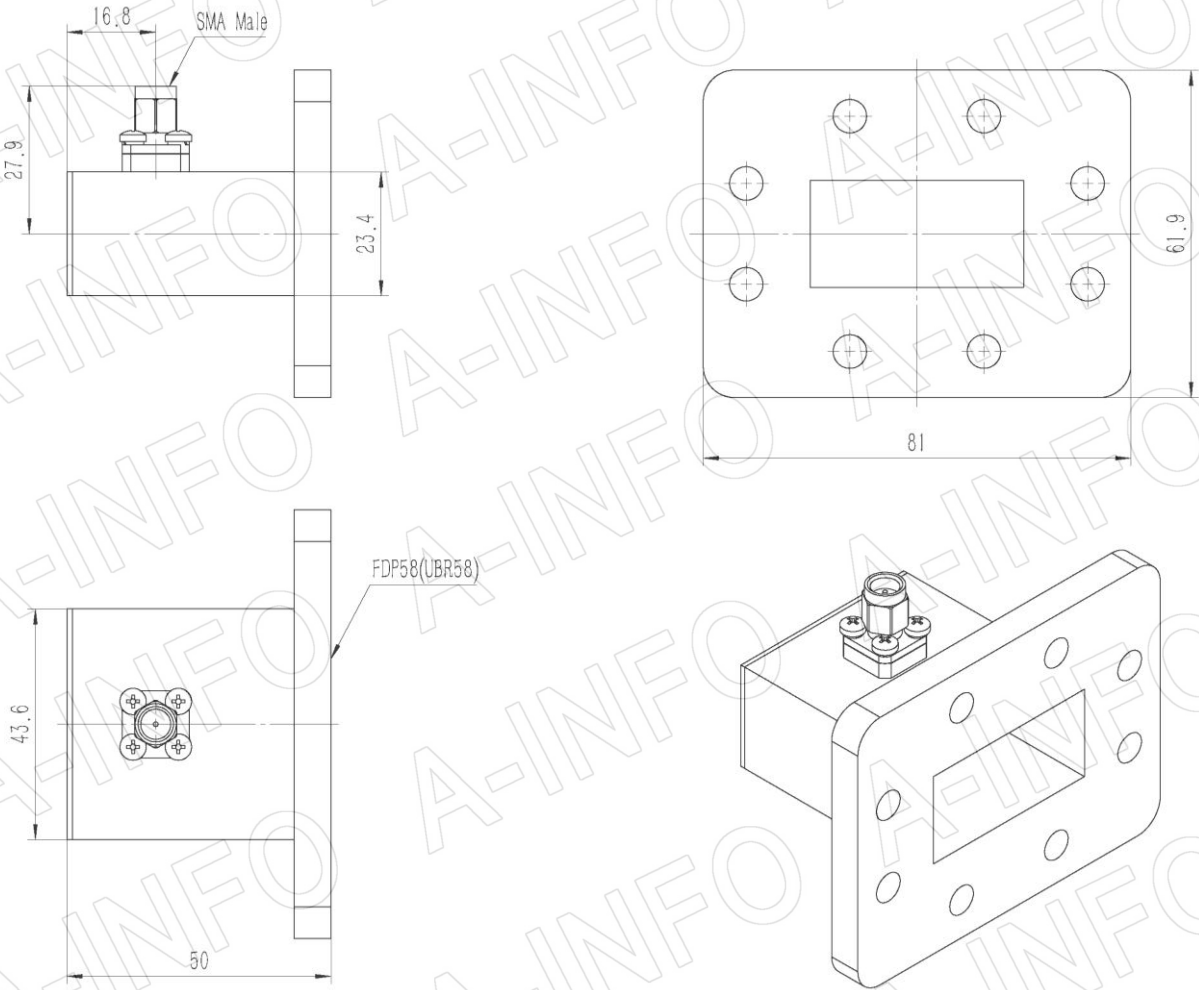
China(Beijing): Tel: (+86) 10-6266-7326,
China(Chengdu): Tel: (+86) 28-8519-2786,
USA: Tel: (+1) 949-639-9688,

Page 1 of 4

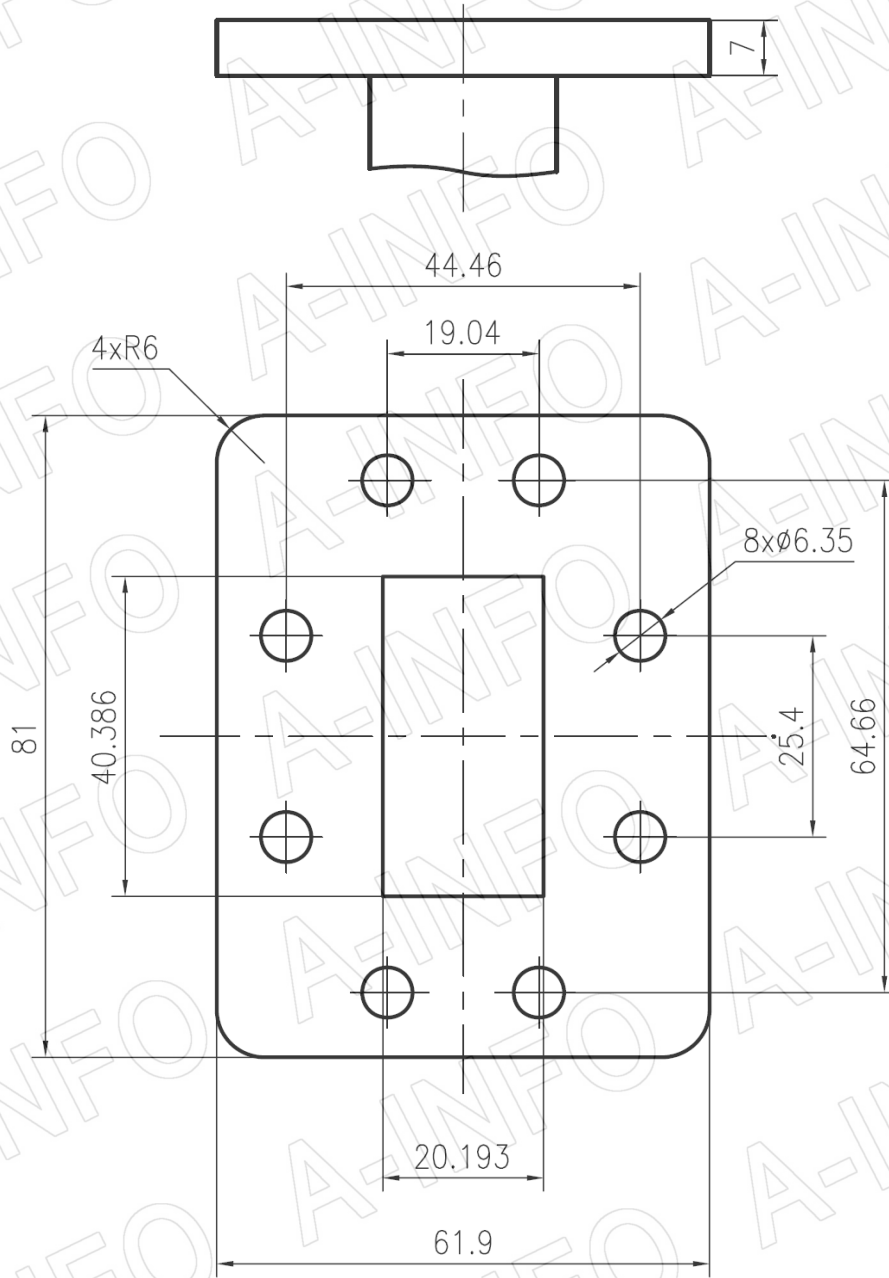
(+86) 10-6266-7327 Fax: (+86) 10-6266-7379
(+86) 28-8519-3044 Fax: (+86) 28-8519-3068
(+1) 949-639-9608 Fax: (+1) 949-639-9670

Website: www.ainfoinc.com
Email: sales@ainfoinc.com

SMA-Male Output (P/N: 159WCASM)



Flange Drawing (Size: mm)



FDP58

AINFO Inc.

China(Beijing): Tel: (+86) 10-6266-7326,
China(Chengdu): Tel: (+86) 28-8519-2786,
USA: Tel: (+1) 949-639-9688,

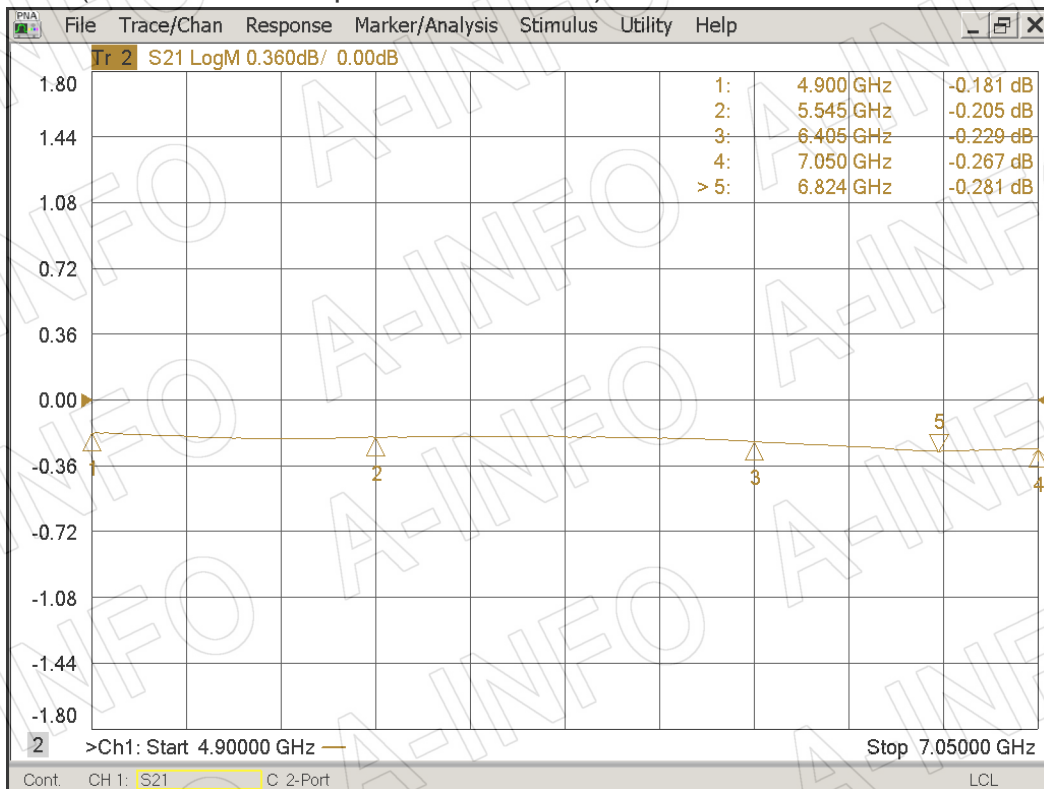
Page 3 of 4

(+86) 10-6266-7327 Fax: (+86) 10-6266-7379
(+86) 28-8519-3044 Fax: (+86) 28-8519-3068
(+1) 949-639-9608 Fax: (+1) 949-639-9670

Website: www.ainfoinc.com
Email: sales@ainfoinc.com

Test Results

Insertion Loss (Test with two adapters back to back)



VSWR

