

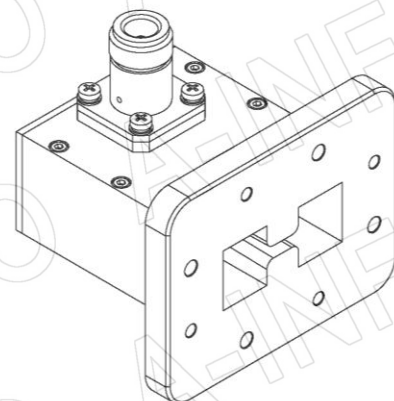
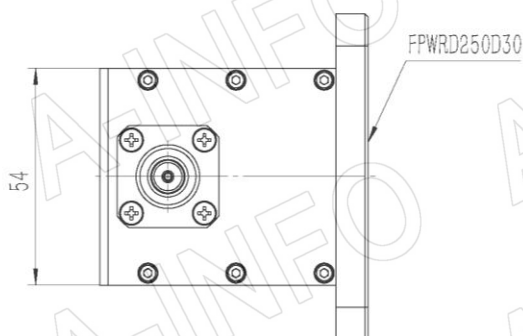
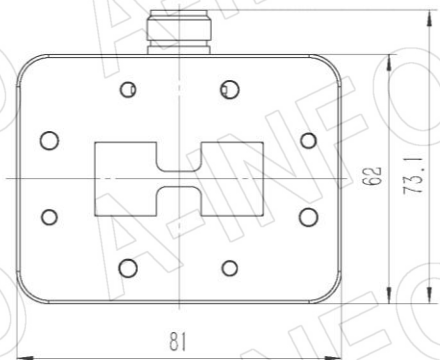
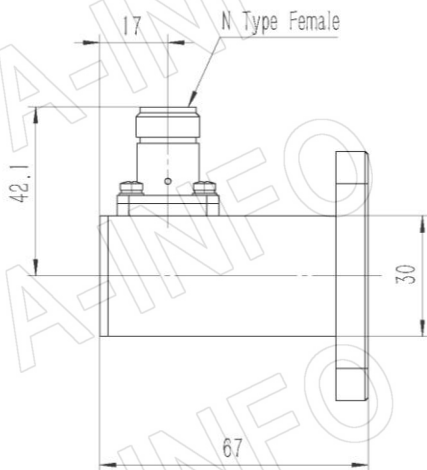
For reference only. See data sheet for the detailed specifications.

Technical Specification



EIA WRD	WRD250
Frequency Range(GHz)	2.6 – 7.8
Insertion Loss(dB)	0.25 Max.
VSWR	1.30:1 Max.
Flange	FPWRD250D30
Connector	N-Female
Average Power(W CW)	500 Max.
Peak Power(KW)	3
Material	Al
Size(mm)	67 x 81 x 73.1
Net Weight(Kg)	0.26 Around

Outline Drawing (Size: mm)



AINFO Inc.

Page 1 of 3

China(Beijing): Tel: (+86) 10-6266-7326,
 China(Chengdu): Tel: (+86) 28-8519-2786,
 USA : Tel: (+1) 949-639-9688,

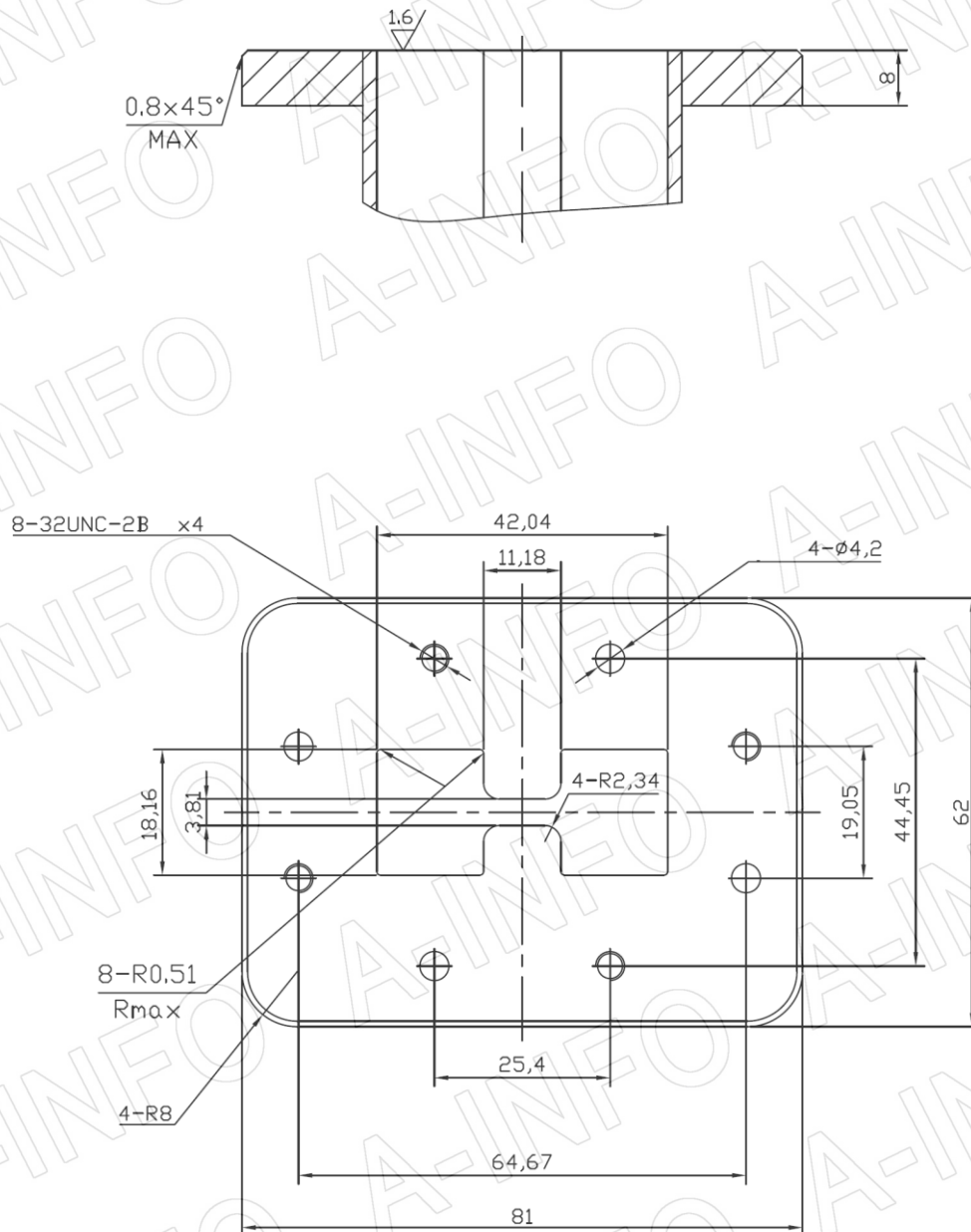
(+86) 10-6266-7327 Fax: (+86) 10-6266-7379
 (+86) 28-8519-3044 Fax: (+86) 28-8519-3068
 (+1) 949-639-9608 Fax: (+1) 949-639-9670

Website: www.ainfoinc.com
 Email: sales@ainfoinc.com

Flange Drawing (Size: mm)

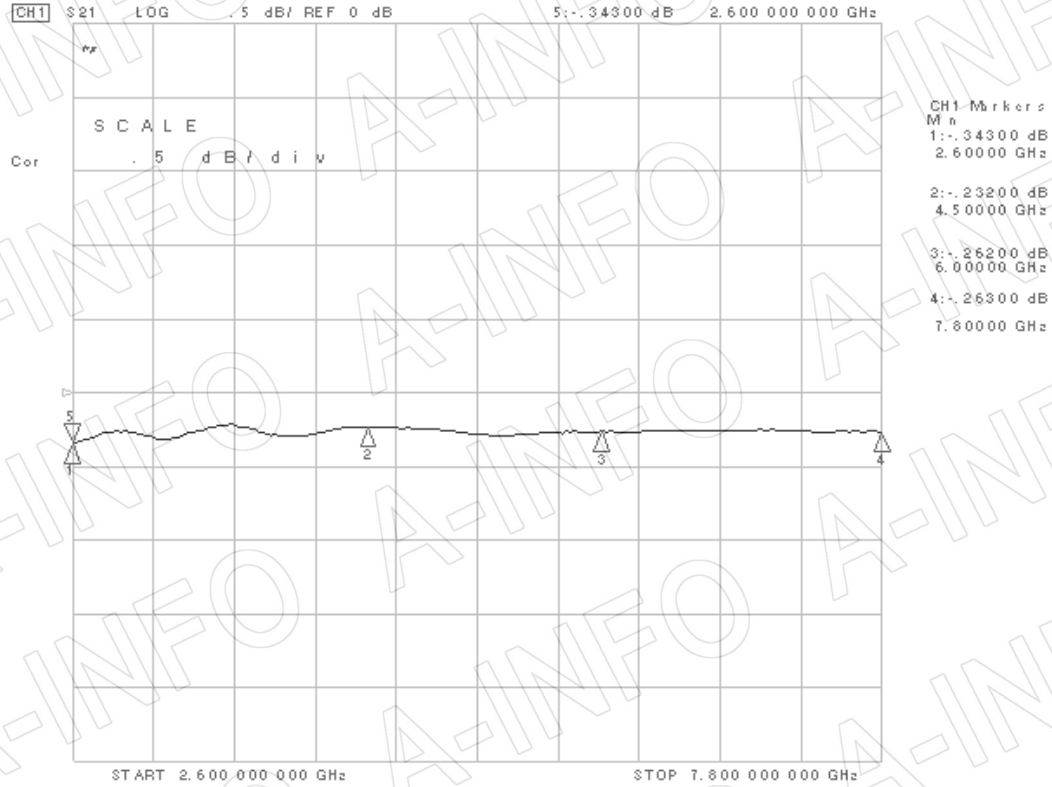
FPWRD250D30

(With four through mounting holes
and four screws holes)



Test Results

I. L. (Test with two adapters back to back)



VSWR

