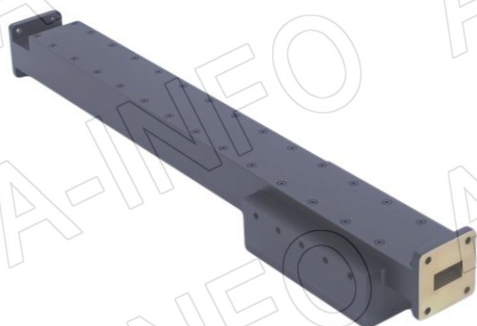


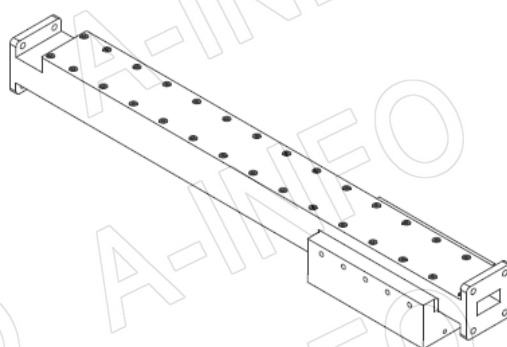
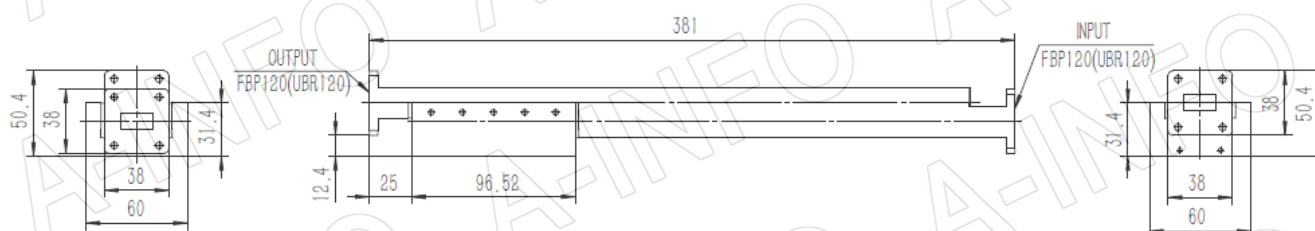
For reference only. See data sheet for the detailed specifications.

## Technical Specification



EIA WR	WR75
Frequency Range(GHz)	10.0 – 15.0
Attenuation(dB)	50
Attenuation Accuracy(dB)	±0.9 Max.
Attenuation Sensitivity(dB)	±0.7 Max.
VSWR	1.15:1 Max.
Average Power(W CW)	200
Peak Power(KW)	200
Flange	FBP120(UBR120)
Material	Al
Size(mm)	381 x 60 x 50.4
Net Weight(Kg)	1.08 Around

## Outline Drawing (Size: mm)



**AINFO Inc.**

Page 1 of 3

China(Beijing):  
China(Chengdu):  
USA :

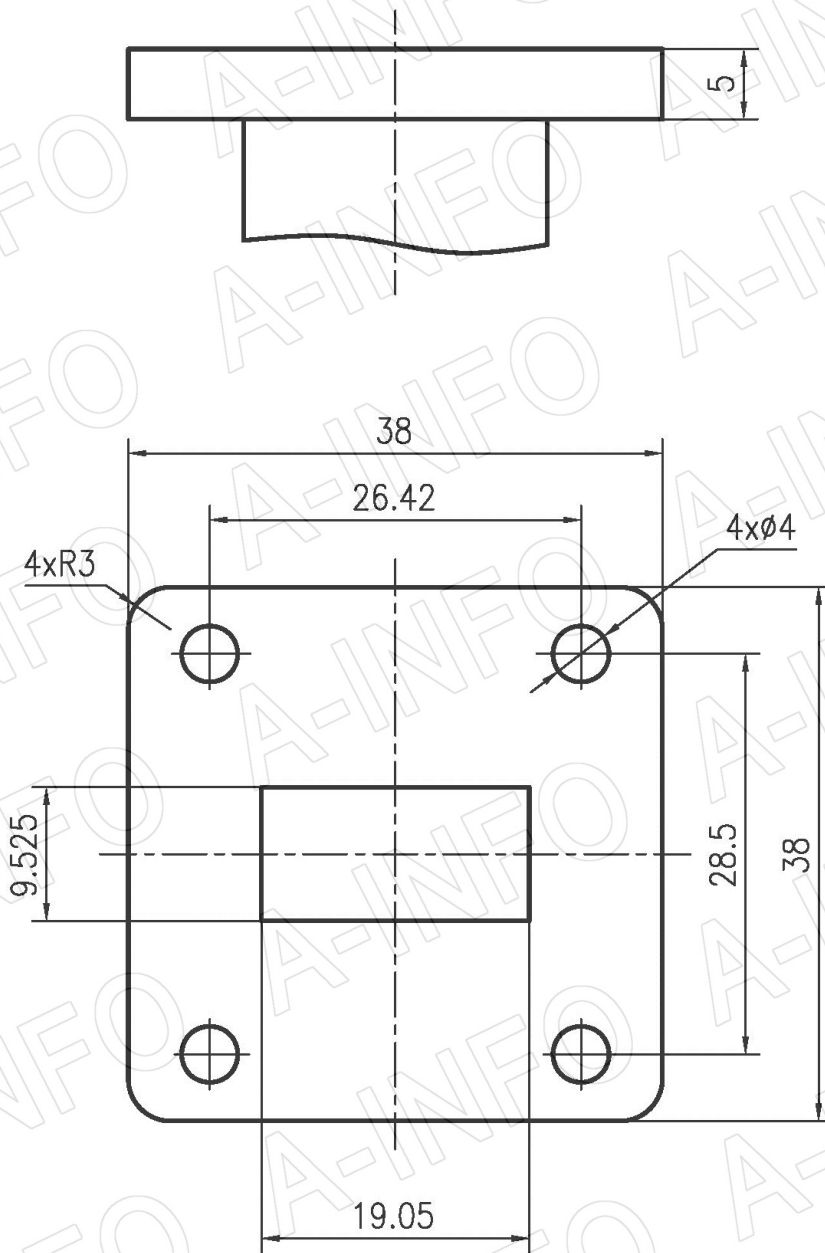
Tel: (+86) 10-6266-7326,  
Tel: (+86) 28-8519-2786,  
Tel: (+1) 949-639-9688,

(+86) 10-6266-7327  
(+86) 28-8519-3044  
(+1) 949-639-9608

Fax: (+86) 10-6266-7379  
Fax: (+86) 28-8519-3068  
Fax: (+1) 949-639-9670

Website: [www.ainfoinc.com](http://www.ainfoinc.com)  
Email: [sales@ainfoinc.com](mailto:sales@ainfoinc.com)

## Flange Drawing (Size: mm)



**FBP120**

**AINFO Inc.**

Page 2 of 3

China(Beijing): Tel: (+86) 10-6266-7326,  
China(Chengdu): Tel: (+86) 28-8519-2786,  
USA: Tel: (+1) 949-639-9688,

(+86) 10-6266-7327 Fax: (+86) 10-6266-7379  
(+86) 28-8519-3044 Fax: (+86) 28-8519-3068  
(+1) 949-639-9608 Fax: (+1) 949-639-9670

Website: [www.ainfoinc.com](http://www.ainfoinc.com)  
Email: [sales@ainfoinc.com](mailto:sales@ainfoinc.com)

## Test Result

### Attenuation & VSWR

CH1	\$S11	SWR	150 m / REF 1	5: 1.0640	10.000 000 000 GHz
CH2	\$S21	LOG	.3 dB / REF -50 dB	5: -50.721 dB	11.725 000 000 GHz
CH3	\$S21	LOG	.3 dB / REF -50 dB	5: -49.771 dB	15.000 000 000 GHz
CH4	\$S22	SWR	150 m / REF 1	5: 1.0728	10.000 000 000 GHz

