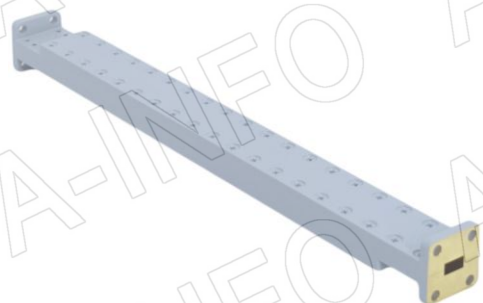


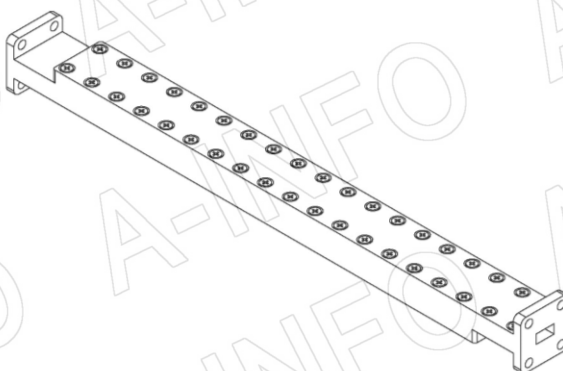
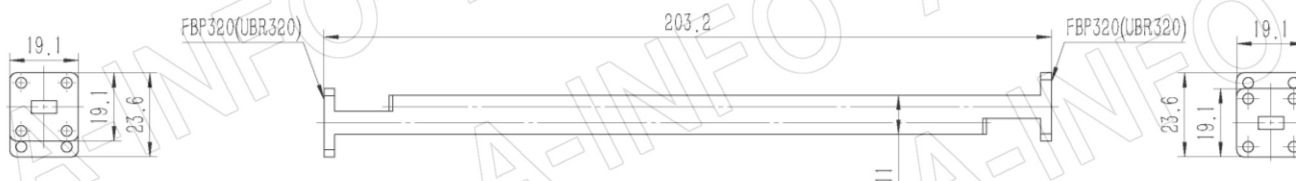
For reference only. See data sheet for the detailed specifications.

Technical Specification



EIA WR	WR28
Frequency Range(GHz)	26.5 – 40.0
Attenuation(dB)	40
Attenuation Accuracy(dB)	±1.0 Max.
Attenuation Sensitivity(dB)	±0.9 Max.
VSWR	1.10:1 Max.
Average Power(W CW)	0.5
Peak Power(KW)	0.5
Flange	FBP320(UBR320)
Material	Cu
Size(mm)	203.2 x 19.1 x 23.6
Net Weight(Kg)	0.25 Around

Outline Drawing (Size: mm)



AINFO Inc.

Page 1 of 3

China(Beijing):

Tel: (+86) 10-6266-7326,

(+86) 10-6266-7327

Fax: (+86) 10-6266-7379

China(Chengdu):

Tel: (+86) 28-8519-2786,

(+86) 28-8519-3044

Fax: (+86) 28-8519-3068

USA :

Tel: (+1) 949-639-9688,

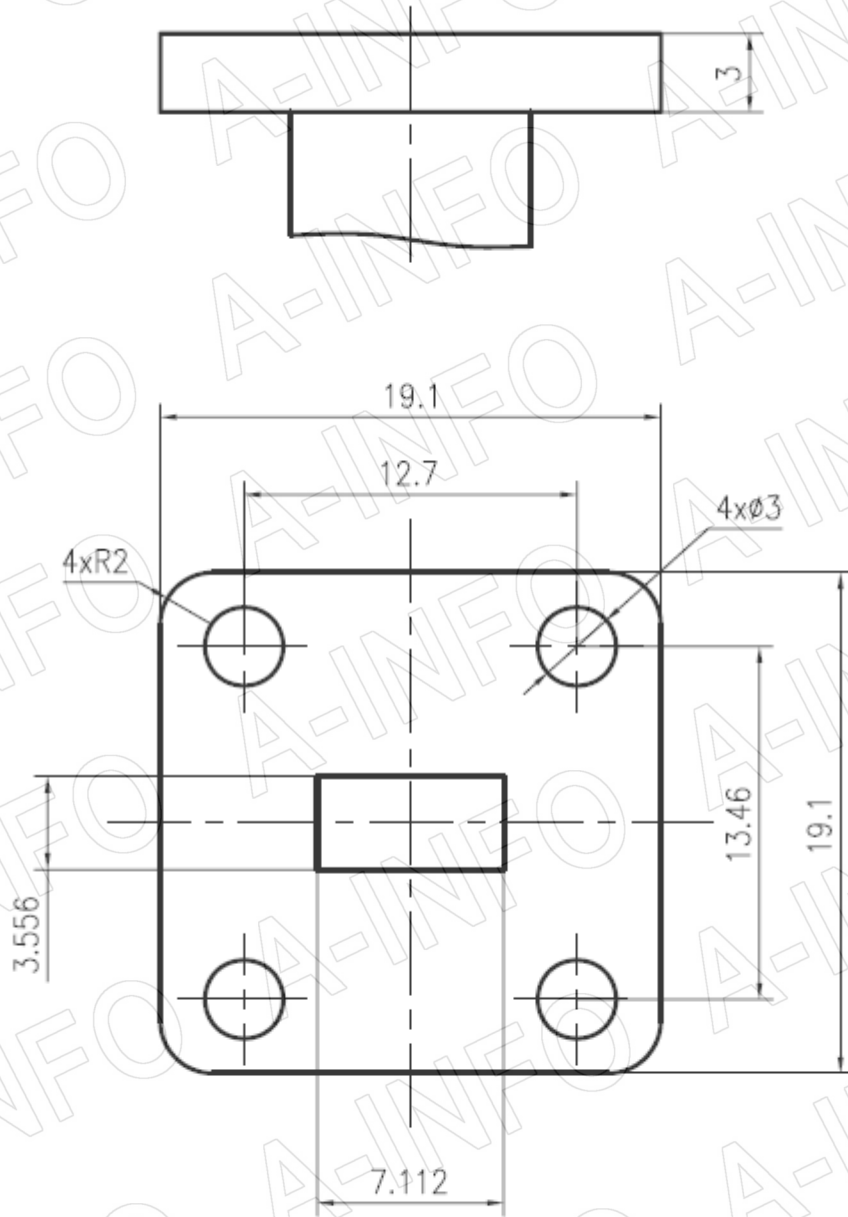
(+1) 949-639-9608

Fax: (+1) 949-639-9670

Website: www.ainfoinc.com

Email: sales@ainfoinc.com

Flange Drawing (Size: mm)



FBP320

AINFO Inc.

Page 2 of 3

China(Beijing): Tel: (+86) 10-6266-7326,
China(Chengdu): Tel: (+86) 28-8519-2786,
USA : Tel: (+1) 949-639-9688,

(+86) 10-6266-7327 Fax: (+86) 10-6266-7379
(+86) 28-8519-3044 Fax: (+86) 28-8519-3068
(+1) 949-639-9608 Fax: (+1) 949-639-9670

Website: www.ainfoinc.com
Email: sales@ainfoinc.com

Test Result

Attenuation & VSWR

CH1	\$11	\$WR	100 m / REF 1	5: 1.0439	31.562 500 000 GHz
CH2	\$21	LOG	1 dB/ REF -40 dB	5: -39.270 dB	39.865 000 000 GHz
CH3	\$21	LOG	1 dB/ REF -40 dB	5: -40.439 dB	32.575 000 000 GHz
CH4	\$22	\$WR	100 m / REF 1	5: 1.0253	33.587 500 000 GHz

