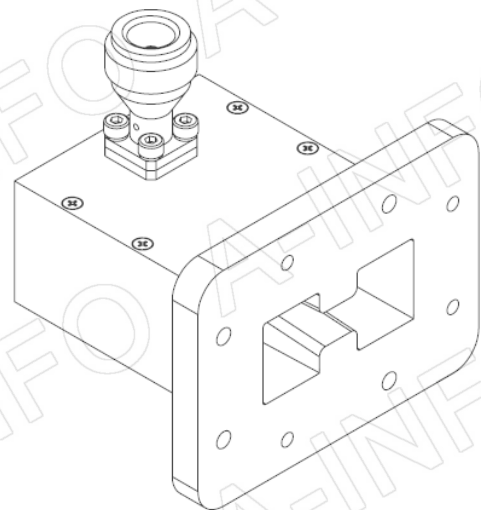
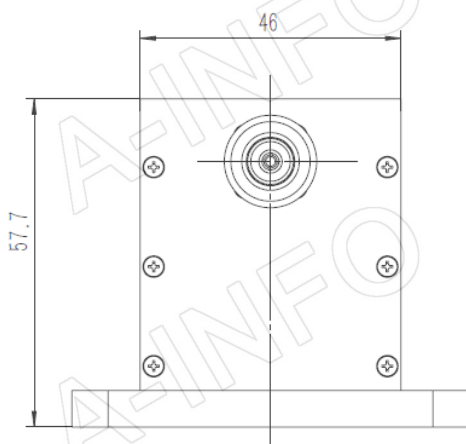
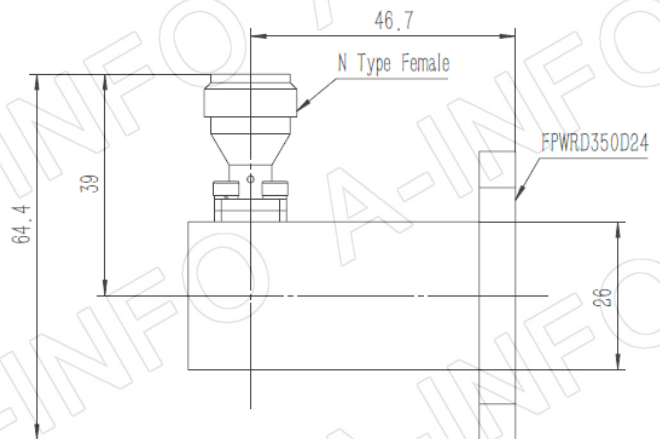
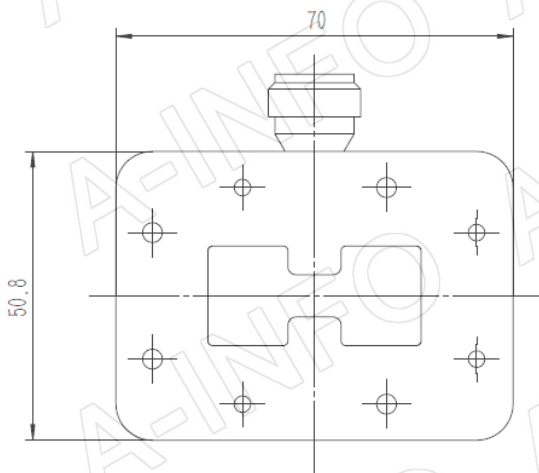


Technical Specification



EIA WRD	WRD350
Frequency Range(GHz)	3.5 – 8.2
Insertion Loss(dB)	0.3 Max.
VSWR	1.30:1 Max.
Flange	FPWRD350D24
Connector	N-Female
Average Power(W CW)	150 Max.
Peak Power(KW)	3
Material	Al
Size(mm)	57.7 x 70 x 64.4
Net Weight(Kg)	0.17 Around

Outline Drawing (Size: mm)



AINFO Inc.

Page 1 of 3

China(Beijing):
China(Chengdu):
USA :

Tel: (+86) 10-6266-7326,
Tel: (+86) 28-8519-2786,
Tel: (+1) 949-639-9688,

(+86) 10-6266-7327
(+86) 28-8519-3044
(+1) 949-639-9608

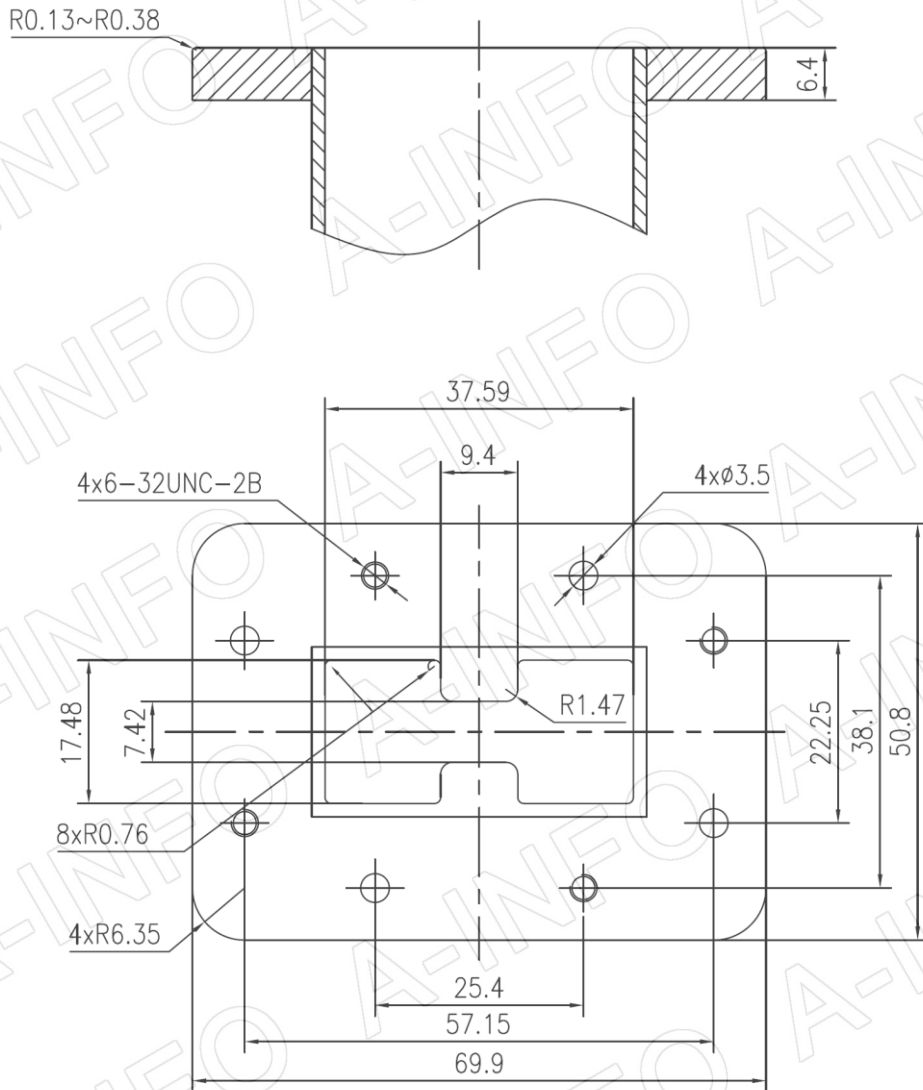
Fax: (+86) 10-6266-7379
Fax: (+86) 28-8519-3068
Fax: (+1) 949-639-9670

Website: www.ainfoinc.com
Email: sales@ainfoinc.com

Flange Drawing (Size: mm)

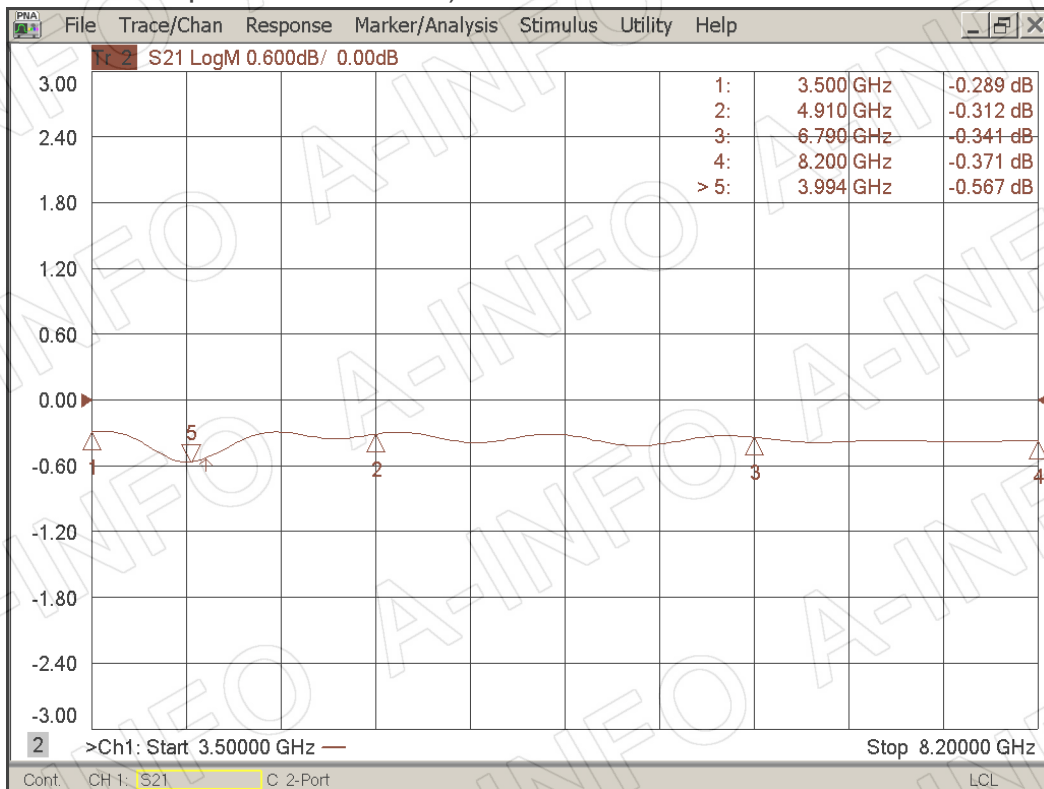
FPWRD350D24

(With four through mounting holes
and four screws holes)



Test Results

I. L. (Test with two adapters back to back)



VSWR

